



CITY OF SOMERVILLE

Commonwealth of Massachusetts

93 Highland Avenue

Somerville, MA 02143

(617) 625-6600

BUSINESS LICENSE APPLICATION - Grant of Location

File #: 22-019471

License #: BL22-000121

Address: 77 TEN HILLS RD

Licensee: Dave Flewelling Comcast of Massachusetts/ New Hampshire, LLC

DBA Name: Comcast Cable Communications Management, LLC

Business Ownership Type: LLC

Legal Name of Entity: Comcast Cable Communications Management, LLC

Owners/Officers: Brian Roberts, Brian Roberts, Brian Roberts, Brian Roberts

License Information:

Grant of location issued to: Comcast Cable Communications Management, LLC

Describe the reason for the work, and the intended beneficiaries: Providing Comcast Service to number 218 Fellsway.

Insert here the same detailed description of the work as appears in the attached Grant of Location Order: Ten Hills Road: Starting at Utility Pole No.498/10 excavating to place (1) 3" PVC Conduit 50'+/_ to provide service to number 218 Fellsway.

Approval Conditions:

Approved By:

Isabela Maia, Approved

Malik Drayton, Approved with Conditions

APPROVAL CONDITION: MD20221013: Contractor shall take all necessary precautions to avoid damaging any tree or tree part with equipment.

APPROVAL CONDITION: MD20221013: All nearby street tree(s) shall be protected prior to and during all construction activities using TREE BOX or TREE WRAPS. . TREE BOX shall be constructed from 2 in. x 4 in. lumber creating a box around the border of the tree pit with 2 in. x 4 in. lumber standing straight up at the corners and wrapped with orange snow fence. Detail attached. . TREE WRAPS (TREE TRUNK WRAPPING PROTECTION LUMBER) shall consist of 2 in. x 4 in. and 8 ft. height lumber wired together in close spacing with zip ties or 16 gauge galvanized steel wire to form a protective enclosure around tree trunks. Use burlap to separate the wood from the bark if necessary to prevent wood from scraping or bruising bark. Do not use staples or puncture the trunk in any way.

APPROVAL CONDITION: MD20221013: Any tree roots less than two (2) inches in diameter that cannot be avoided during construction shall be carefully and cleanly cut with a clean pair of pruning shears or loppers. Roots are to be cut back flush with the edge of the trench. If any tree roots greater than two (2) inches in diameter are encountered, stop work immediately and contact the City Urban Forester. Any and all pruning

of roots greater than 2 inches in diameter must be completed under the supervision of the City Urban Forester.

Eric Weisman, Approved

Kimberly M. Wells, Approved



CITY OF SOMERVILLE, MASSACHUSETTS
CITY CLERK'S OFFICE
KATJANA BALLANTYNE
MAYOR

KIMBERLY M. WELLS
CITY CLERK

November 1, 2022

NOTICE OF PUBLIC HEARING

You are hereby notified that the Somerville City Council will hold a Public Hearing on the following Petition. You are receiving this Notice because the Petitioner has reported that you own property that abuts the work that is being proposed. You and other members of the public are invited to attend and be heard at this Hearing.

This meeting of the City Council will also be conducted via remote participation, online in a webinar hosted on the GoToWebinar platform.

You have three ways to be heard at this meeting:

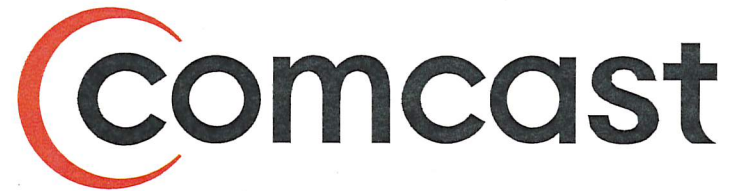
1. To attend and be heard, enter the link exactly as it appears below into your internet browser any time before the meeting. You will then be asked to register for the meeting. After registering, you will receive an email with instructions to join the webinar when it starts.
2. You may also testify in person in the City Council Chamber, City Hall, 2nd Floor, 93 Highland Avenue, Somerville, MA 02143
3. If you are unable to attend but wish to be heard, you may send written comments by US mail to the City Clerk at the address below, or by email to cityclerk@somervillema.gov. Your comments must arrive no later than 12 Noon on the day of the Hearing, in order to be sure they are conveyed to the Council.

PETITION: Comcast seeks a Grant of Location to install 70 feet of conduit in Ten Hills Road, from Utility Pole 498/10 to a proposed handhole in 77 Ten Hills Road.

PLACE: <https://attendee.gotowebinar.com/register/4399306978260816909> or
City Council Chambers, City Hall, 2nd Floor, 93 Highland Avenue, Somerville, MA 02143

TIME: Thursday, November 10, 2022, at 7:00 PM

PURPOSE: The work is necessary to provide or improve service to 218 Fellsway.



**PROPOSED CONDUIT INSTALLATION
AT
77 TEN HILLS RD
SOMERVILLE, MA**



LOCUS
N.T.S

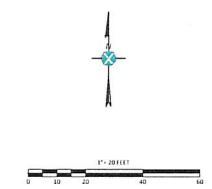
INDEX OF DRAWING	
SHEET NO.	DESCRIPTION
-	COVER SHEET
01	PROPOSED CONDUIT INSTALLATION

AXIS
ENGINEERING GROUP
201 Boston Post Rd West - Suite 100
Marlborough, MA 01752
(774) 556-2924 www.axisgroup.com

GENERAL NOTES

1. THE LOCATIONS OF EXISTING UNDERGROUND UTILITIES ARE SHOWN IN AN APPROXIMATE WAY ONLY AND HAVE NOT BEEN INDEPENDENTLY VERIFIED BY THE OWNER OR ITS REPRESENTATIVE. THE CONTRACTOR SHALL DETERMINE THE EXACT LOCATION OF ALL EXISTING UTILITIES BEFORE COMMENCING WORK, AND SHALL BE FULLY RESPONSIBLE FOR ANY AND ALL DAMAGES WHICH MIGHT BE OCCASIONED BY THE CONTRACTOR'S FAILURE TO EXACTLY LOCATE AND PRESERVE ANY AND ALL UNDERGROUND UTILITIES.
2. WHERE AN EXISTING UTILITY IS FOUND TO CONFLICT WITH THE PROPOSED WORK, THE LOCATION, ELEVATION AND SIZE OF THE UTILITY SHALL BE ACCURATELY DETERMINED WITHOUT DELAY BY THE CONTRACTOR, AND THE INFORMATION FURNISHED TO THE ENGINEER FOR RESOLUTION OF THE CONFLICT.
3. THE CONTRACTOR SHOULD MAINTAIN A SEPARATION OF 18 INCHES MIN. WHEN CROSSING EXISTING WATER FACILITIES.
4. THE CONTRACTOR SHALL MAKE ALL ARRANGEMENTS FOR THE ALTERATION AND ADJUSTMENT OF GAS, ELECTRIC, TELEPHONE AND ANY OTHER PRIVATE UTILITIES BY THE UTILITY COMPANY.
5. THE CONTRACTOR SHALL NOT DISTURB PUBLIC TREES AND SHRUBS.
6. AREAS OUTSIDE THE LIMITS OF PROPOSED WORK DISTURBED BY THE CONTRACTOR'S OPERATIONS SHALL BE RESTORED BY THE CONTRACTOR TO THEIR ORIGINAL CONDITION AT NO EXPENSE TO THE OWNER.
7. THE CONTRACTOR SHALL BE RESPONSIBLE FOR PLACING AND MAINTAINING TEMPORARY RESURFACING AND/OR PLATING FOR ALL EXCAVATIONS IN PAVED STREETS AND SIDEWALKS UNTIL PERMANENT RESURFACING IS COMPLETE.
8. JOINTS BETWEEN NEW BITUMINOUS CONCRETE ROADWAY PAVEMENT AND SAW CUT EXISTING PAVEMENT SHALL BE SEALED WITH BITUMEN AND BACK SANDED.
9. THE CONTRACTOR SHALL PROTECT AND SUPPORT ALL EXISTING UTILITY LINES THAT BECOME EXPOSED DUE TO EXCAVATION REQUIRED TO INSTALL THE PROPOSED CONDUIT.
10. THE CONTRACTOR SHALL REPLACE ALL DISTURBED TRAFFIC SIGNAL LOOP DETECTORS TO GOOD WORKING CONDITION AS REQUIRED BY THE LATEST STANDARDS OF THE MUNICIPAL TRAFFIC DEPARTMENT.
11. ALL EXISTING STATE, COUNTY, CITY, AND TOWN LOCATION LINES AND PRIVATE PROPERTY LINES HAVE BEEN ESTABLISHED FROM AVAILABLE INFORMATION AND THEIR EXACT LOCATION ARE NOT GUARANTEED.
12. THE CONTRACTOR SHALL REPLACE ALL PAVEMENT MARKINGS IN THEIR ENTIRETY THAT HAVE BEEN DAMAGED BY TRENCH EXCAVATION OR OPERATIONS OF THE CONTRACTOR WITH SIMILAR COLOR AND SIZE THERMOPLASTIC MARKINGS.

- * - ITEM SHOWN ON UTILITY RECORDS, BUT NOT FOUND IN FIELD.
- ~ - ITEM FOUND IN FIELD, BUT NOT IN UTILITY RECORDS.



LEGEND

⊗	ELECTRIC MH	⊗	STREET LIGHT
⊕	JOINT UTILITY POLE	⊕	ELECTRIC MH
⊙	LAMP POST	⊙	TEL MH
⊚	TRAFFIC LIGHT	⊚	CATV MH
⊛	SPRINKL MH	⊛	COMM. INFRASTR.
⊜	GRASS MH	⊜	IRRIGATION VALVE
⊝	TELEPHONE MH	⊝	WATER METER
⊞	ELECTRIC MH	⊞	GAS METER
⊟	CATV MH	⊟	SEWER GATE
⊠	WATER MH	⊠	GAS GATE
⊡	FAG	⊡	WATER GATE
⊢	BUS/SWIRL	⊢	HYDRANT
⊣	RIGHT OF WAY	⊣	MAIL BOX
⊤	CONCRETE	⊤	SYSTEM BOUND.
⊥	FENCE	⊥	PARKING METER/ST
⊦	ELECTRIC VAULT	⊦	STEEL POST
⊧	TRAFFIC MH	⊧	SIGN POLE
⊨	PROPOSED MH	⊨	US CABLE MARKER
⊩	PROPOSED CONDUIT	⊩	TRANSFORMER
		⊪	CATCH BASIN

NOTE:
EXISTING UTILITIES SHOWN ARE APPROXIMATE AND NOT WARRANTED TO BE CORRECT. THE CONTRACTOR SHALL VERIFY THE LOCATION OF ALL PUBLIC AND PRIVATE UTILITIES PRIOR TO BEGINNING ANY EXCAVATION.



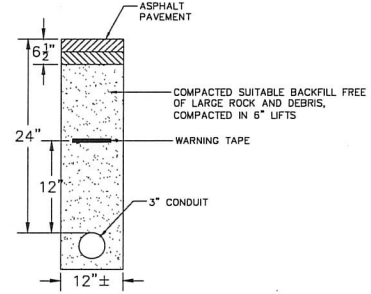
PREPARED BY: **AXIS ENGINEERING GROUP**



REV #	DESCRIPTION	DATE
1	CHG PROP PATH	10/14/22

TITLE: **PROPOSED CONDUIT INSTALLATION**
77 TEN HILLS RD
SOMERVILLE, MA

SURVEYED BY: AXIS ENGINEERING PRINT NO: 1 OF 1
DRAWN BY: MB SCALE: 1"=20' (SHEET SIZE 36"x42")
DATE: 10/14/2022 AS BUILT:

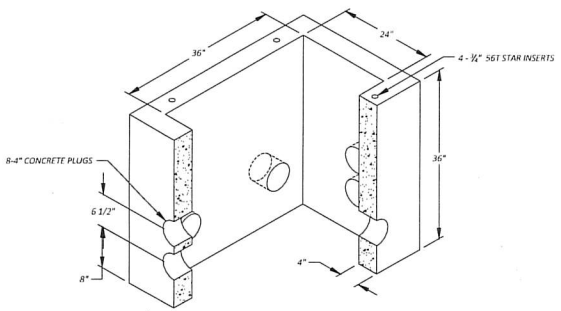


**ROADWAY PATCH AND DUCT BANK
INSTALLATION DETAIL**

N.T.S.

TRENCH DETAIL NOTES:

1. 24" MAXIMUM FROM TOP OF CONDUIT TO SURFACE.
2. 12" FROM TOP OF CONDUIT TO METALLIC WARNING TAPE PLACED ABOVE.
3. REPAIR SIDEWALKS AND WALKWAYS WITH SAME MATERIALS AS EXISTING.



TYPICAL 24" X 36" X 36" HANDHOLE

MUST MEET OR EXCEED ALL STATE, LOCAL DOT REGS. FOR ROADWAY LOADINGS
N.T.S.

Location:
55/ B/ 10/ /
75 TEN HILLS RD
Owner:
GENTILE EDVIGE M FOR LIFE
GENTILE MORENO P REM
73 TEN HILLS RD
SOMERVILLE, MA 02145

Location:
68/ A/ 3/ /
82 TEN HILLS RD
Owner:
BERROUET WOLFF E
595 BROADWAY
SOMERVILLE, MA 02145

Location:
55/ B/ 11/ /
77 TEN HILLS RD
Owner:
PINO WILLIAM J & NOELLE
77 TEN HILLS RD
SOMERVILLE, MA 02145

Location:
68/ A/ 4/ /
78 TEN HILLS RD
Owner:
CBC HOMES LLC
9 WINTHROP COURT
MEDFORD, MA 02155

Location:
55/ B/ 12/ /
83 TEN HILLS RD
Owner:
LEAKE THOMAS R JR
83 TEN HILLS RD
SOMERVILLE, MA 02145

Location:
68/ A/ 5/ /
74 TEN HILLS RD
Owner:
DECASTRO CARLOS A & MARIA G
TRUSTEES
DECASTRO FAMILY TRUST
74 TEN HILLS RD
SOMERVILLE, MA 02145