



CITY OF SOMERVILLE

Commonwealth of Massachusetts

93 Highland Avenue

Somerville, MA 02143

(617) 625-6600

BUSINESS LICENSE APPLICATION - Sign and Awning

File #: 14-001351

License #: BL24-000056

Address: 333 GREAT RIVER RD

Licensee: Chris Damian Papagayo

DBA Name: Toca Chida

Business Ownership Type: LLC

Legal Name of Entity: Papagayo Somerville Inc DBA Toca Chida

Owners/Officers: Christopher Damian, , ,

License Information:

of signs/awnings: 3 or more

Describe: There are 3 awnings that will be attached to the storefront over the windows that will be over the sidewalk.

Approval Conditions:

Approved By:

Albert Bargoot, Approved

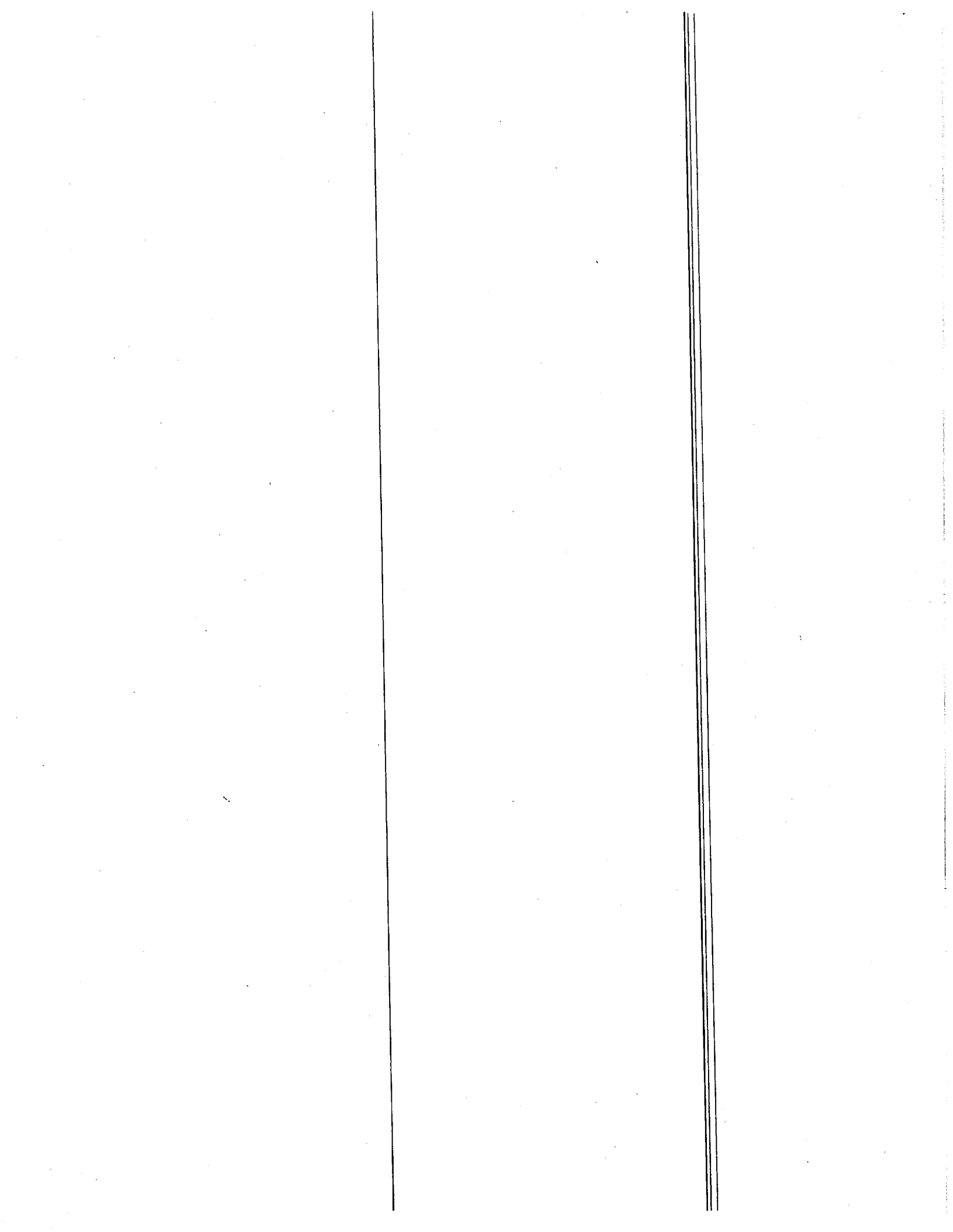
Matt Sarcione, Approved

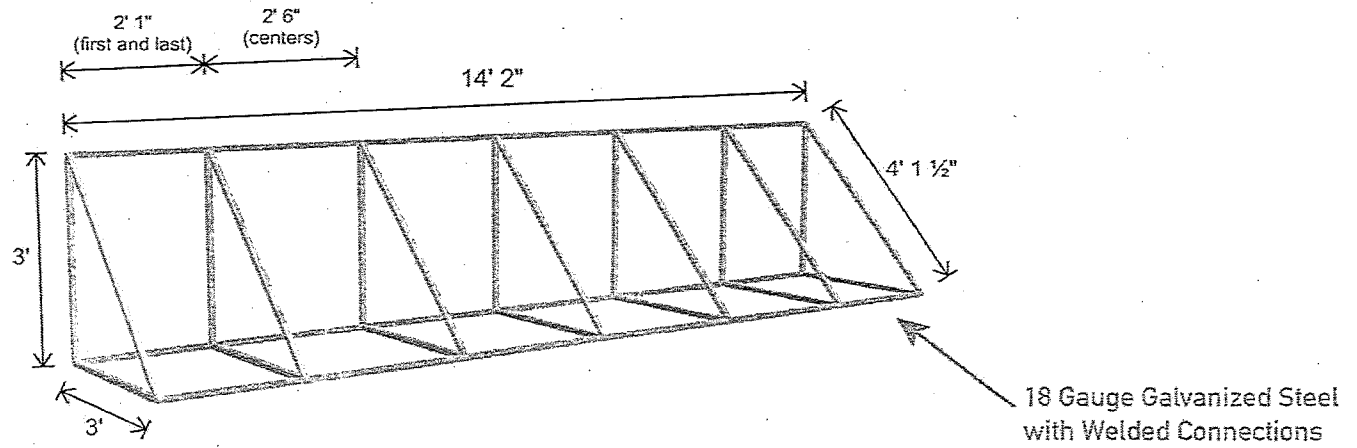
Kimberly M. Wells, Approved



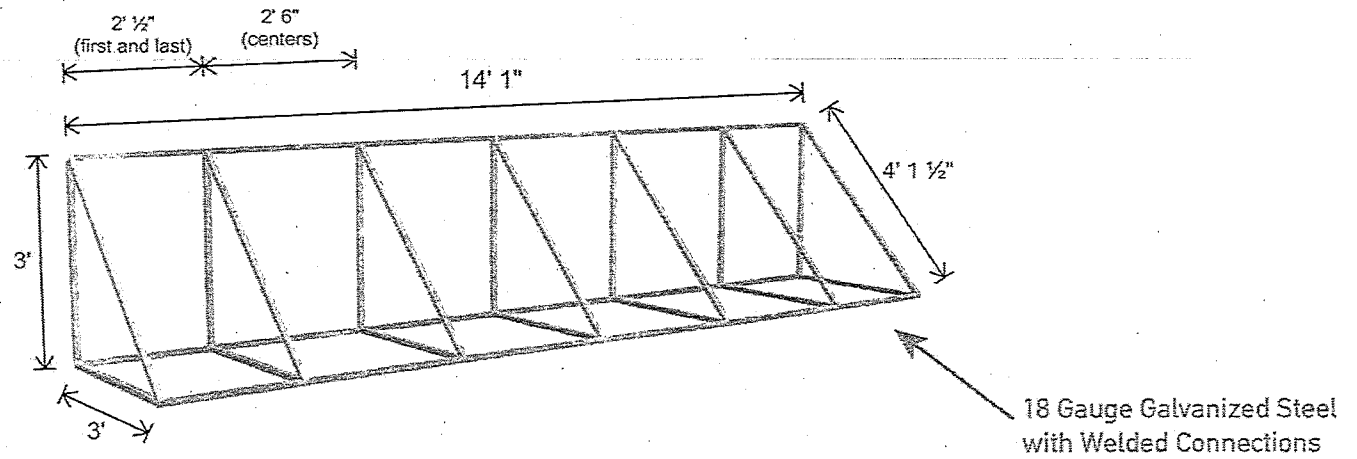
TOCHA CHIDA
Czechoslovakian







1 LARGER AWNINGS (QTY 2)



2 SMALLER AWNING (QTY 1)

	Project Toca Chida Restaurant Awnings		Notes	DRAWING A1 SHEET#
	Salesman Tony	Designer Mike		
	Issued For Approval			
	Date 03/26/2024	Scale AS NOTED		