



CITY OF SOMERVILLE

Commonwealth of Massachusetts

93 Highland Avenue

Somerville, MA 02143

(617) 625-6600

NEW BUSINESS LICENSE APPLICATION - Outdoor Seating

File #: 16-014312

License #: BL16-000157

Address: 296 BEACON ST

Licensee: James Acer Manoa Poke

DBA Name: Manoa Poke Shop

Business Ownership Type: LLC

Legal Name of Entity: Bonzfam LLC

Owners/Officers: Josiah Bonsey, Samuel Bonsey, ,

License Information:

of Tables: 1

of Chairs: 2

of A-frame signs: 1

Describe any other Items or Goods: None

If you have outdoor seating, do you want to allow dogs to accompany their owners into the area?: No

Approval Conditions: Owner/proprietor must maintain ADA accessible path, minimum of 42-inches wide, at all times.

Application for Outdoor Seating & A-Frame

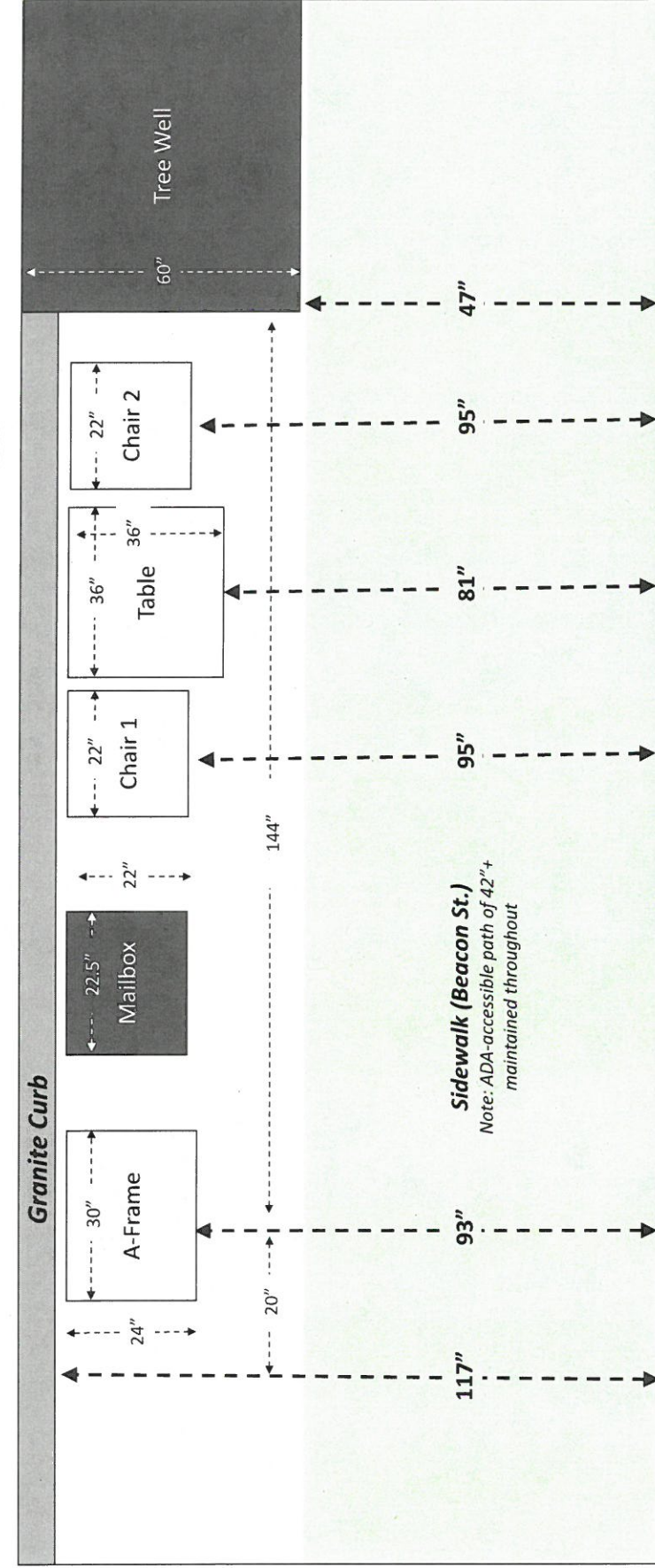
Manoa Poke Shop 300 Beacon Street

Notes:

1. Plan has been updated from prior version to reflect sidewalk, bike land, & tree well resulting from Beacon Street Reconstruction.
2. Dimensions for Sidewalk, Curb, & Bike Lane are consistent with most recent plans published for Beacon Street Reconstruction Project (<http://www.somervillema.gov/sites/default/files/beacon-st-75-plans-5-13-2014.pdf>). New Sidewalk and Bike Lane have already been installed for relevant section bordering our building.
3. Dimensions for Mailbox & Tree Well are consistent with physical measurements (all items are currently on premises). Note that the Mailbox has been temporarily moved to Eustis Street, but will return to previous location as shown on the following page.
4. At narrowest point, the accessible sidewalk path is **currently 47 inches**. This occurs in the space between the our building and the Tree Well.
5. The narrowest point that will result from the proposed placement of seating & A-Frame is **81 inches**, which would occur between the table and the building. To our understanding, this is more than sufficient for compliance with ADA requirement of a continuous 42-inch path.

Beacon Street Bike Lane

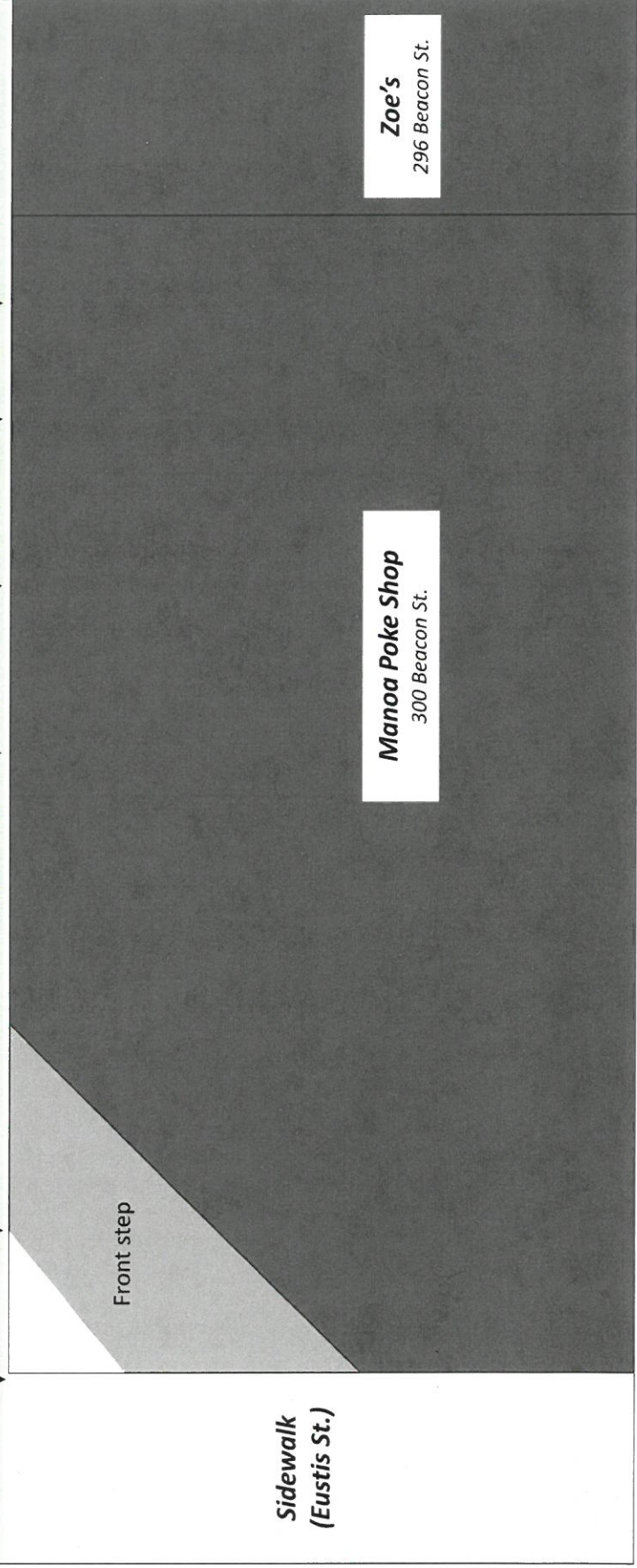
ADA-accessible path (42+ inches)



Sidewalk (Beacon St.)

Note: ADA-accessible path of 42"+ maintained throughout

Eustis Street

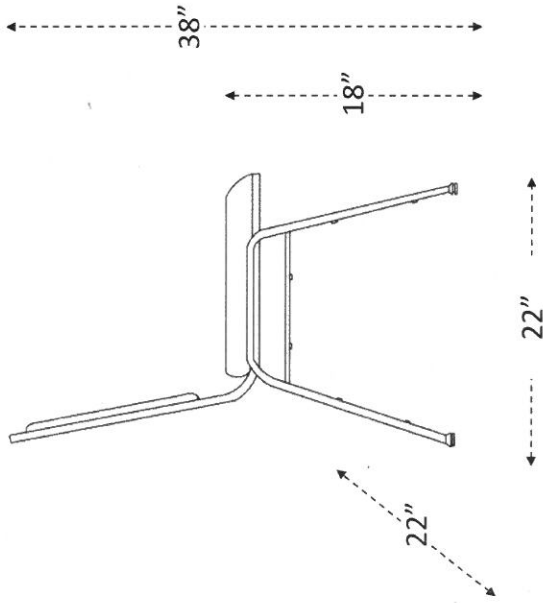


Sidewalk (Eustis St.)

Manoa Poke Shop
300 Beacon St.

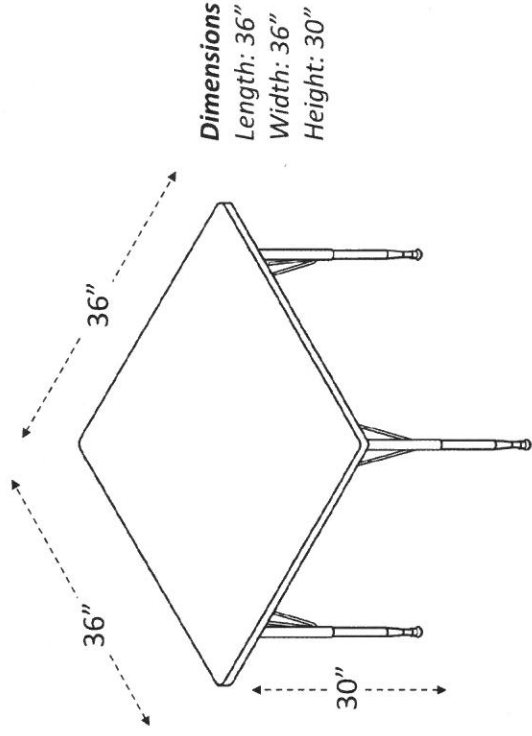
Zoe's
296 Beacon St.

Chair (2)



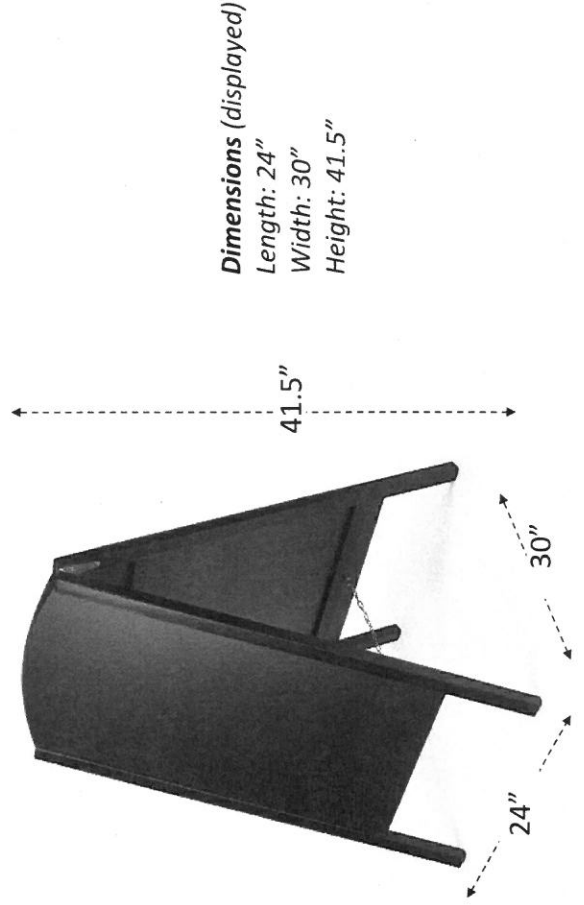
Dimensions
Length: 22"
Width: 22"
Height: 38"

Table



Dimensions
Length: 36"
Width: 36"
Height: 30"

A-Frame Chalkboard



Dimensions (displayed)
Length: 24"
Width: 30"
Height: 41.5"