



CITY OF SOMERVILLE
Commonwealth of Massachusetts
93 Highland Avenue
Somerville, MA 02143
(617) 625-6600

BUSINESS LICENSE APPLICATION - Small Wireless Facility

File #: 19-014873

License #: BL19-000111

Address: 154 WALNUT ST

Licensee: Matthew Pricco Network Building + Consulting

DBA Name: ExteNet Systems, Inc.

Business Ownership Type: Corporation

Legal Name of Entity: ExteNet Systems, Inc.

Owners/Officers: James A. Hyde, H. Anthony Lehv, Daniel L. Timm,

License Information:

Do you believe this to be a 6409(a) application?: No

Describe the reason for the work, and the intended beneficiaries: Installation of a small cell wireless facility on a wood utility pole in the public right-of-way. The facility will improve wireless communications services for residents, businesses, and visitors in the vicinity.

Provide the detailed description of the work that should appear on the License: Extenet proposes to install a small cell wireless facility on an existing wood utility pole. The principal elements of the proposed facility are an antenna housed in a 24 inch long shroud side-mounted on the pole, including an additional 6 feet of base mounting equipment, and three radios in a shroud also mounted on the pole.

of installations on existing poles: 1

of installations on new poles: 0

Provide the legal name of the entity that will own the License: ExteNet Systems, Inc.

Approval Conditions: None

Approved By:

John Power, Approved

Karla Cuarezma, Approved

Malik Drayton, Approved

Peter Lew, Approved

Mark Lawhorne, Approved

John J. Long, Approved

LATITUDE: 42.389656°
 LONGITUDE: -71.092171°



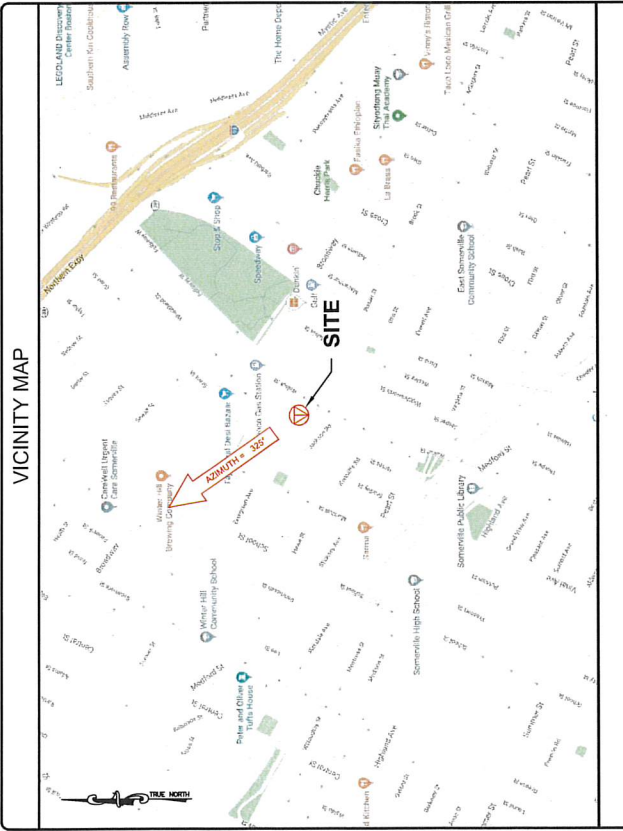
NE-MA-BSTN3N01-TMO NE-MA-BSTN3N01-03337 / NE3205BA_31LAB

PROPOSED SMALL CELL NODE
 154 WALNUT STREET, SOMERVILLE, MA 02145
 CITY OF SOMERVILLE, MIDDLESEX COUNTY

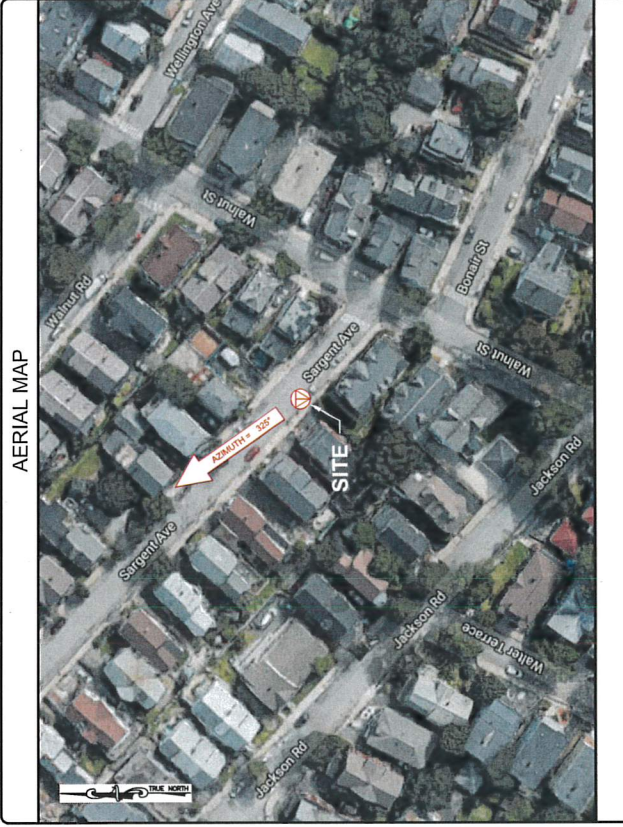


Know what's below.
 Call before you dig.

VICINITY MAP



AERIAL MAP



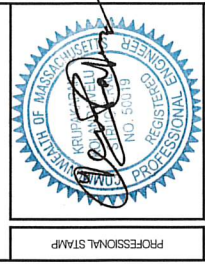
NE+C
 TOTALLY COMMITTED.
 NHC ENGINEERING SERVICES, LLC.
 100 WASHINGTON STREET
 SOMERVILLE, MA 02145

extenet
 YOUR NETWORK. EVERYWHERE.
 3030 WAREMILLE ROAD, SUITE 340
 LISLE, IL 60532
 (630) 995-3600

NE-MA-BSTN3N01-03337
 TMO ID: NE3205BA_31LAB
 154 WALNUT STREET
 SOMERVILLE, MA 02145
 MIDDLESEX COUNTY

REVISIONS

REV	DATE	DESCRIPTION	BY
4	01/26/20	MOUNT REVISED	DRB
3	09/12/19	REVISED	NEB
2	09/06/19	FINAL	CDC
1	05/15/19	FOR REVISED	CA
0	04/17/19	PRELIMINARY	CA



KRUPAKARAN NOLANDAVELU, P.E.
 MA PROFESSIONAL ENGINEER, #50019

TITLE SHEET

SHEET NUMBER
01 OF 05

DRAWING INDEX

TITLE SHEET
01
02
03
04
05

- CODE COMPLIANCE
- ALL WORK AND MATERIALS SHALL BE PERFORMED AND INSTALLED IN ACCORDANCE WITH THE CURRENT EDITIONS OF THE FOLLOWING CODES AS ADOPTED BY THE LOCAL GOVERNING AUTHORITIES. NOTHING IN THESE PLANS IS TO BE CONSTRUED TO PERMIT WORK NOT CONFORMING TO THE LATEST EDITIONS OF THE FOLLOWING CODES:
- 2015 INTERNATIONAL BUILDING CODE
 - MASSACHUSETTS AMENDED 9TH EDITION
 - 2017 NATIONAL ELECTRICAL CODE
 - NFPA 1-2015 EDITION
 - 2015 IFC - REFERENCE 527 CHR
 - AMERICAN CONCRETE INSTITUTE
 - AMERICAN INSTITUTE OF STEEL CONSTRUCTION
 - MANUAL OF STEEL CONSTRUCTION 13TH EDITION
 - ANSI/TIA-222-G
 - TIA 807
 - INSTITUTE FOR ELECTRICAL & ELECTRONICS ENGINEER 81
 - IEEE C2 NATIONAL ELECTRIC SAFETY CODE LATEST EDITION
 - TELECORDIA GR-1275
 - ANSI/T 311

PROJECT INFORMATION

PROJECT NAME: NE-MA-BSTN3N01-TMO
 POLE TAG: 42 389656
 LONGITUDE: -71 092171
 CITY OF SOMERVILLE
 MIDDLESEX COUNTY
 EXTENET PROJECT MANAGER: RICK ANGELO
 HUB LOCATION: HUB: ABSORBED WAREMILLE RD, SUITE 340
 LISLE, IL 60532
 EVERSOURCE
 SOMERVILLE, MA 02145

NE-MA-BSTN201-03337
TMO ID: NE2026BA_31LAB
154 WALNUT STREET
SOMERVILLE, MA 02145
MIDDLESEX COUNTY

REVISIONS

NO.	DATE	DESCRIPTION	BY
1	08/15/19	PRELIMINARY	CA
2	08/15/19	FOR REVIEW	CA
3	09/12/19	REVISION	NBR
4	01/20/20	MOUNT REVISION	DRG



KRUPAKARAN KOLANDAVELU, P.E.
MA PROFESSIONAL ENGINEER # 50019

ELEVATION

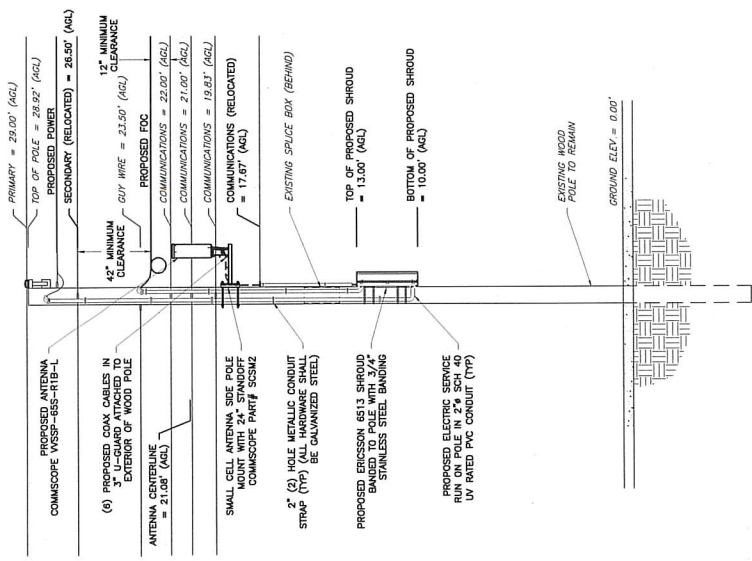
SHEET
03 OF 05



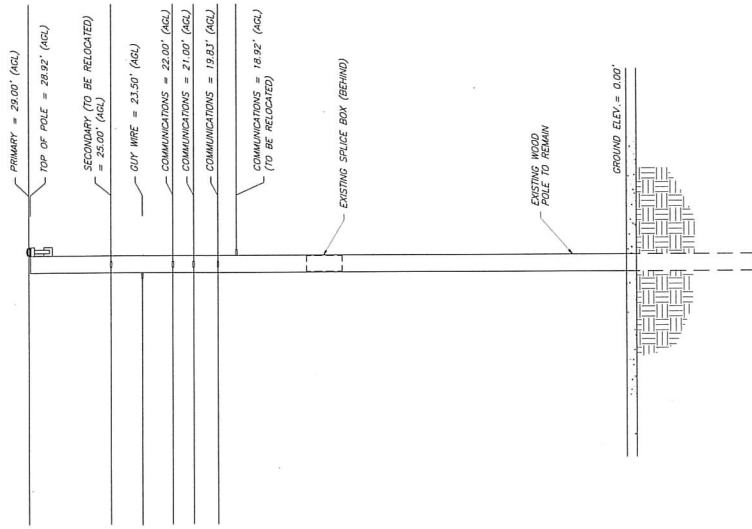
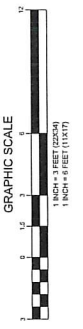
EXISTING CONDITIONS

- NOTES:**
- EQUIPMENT ELEVATION IS SUBJECT TO MAKE READY PERFORMED BY POLE OWNER.
 - NEW PLACED SHALL BE COMPLIANT WITH ALL LOCAL ORDINANCES AND ALL APPLICABLE REGULATIONS. VERIFY EXISTING CONDITIONS AND VERIFY EXACT MOUNTING HEIGHT IN FIELD.
 - MAINTAIN MINIMUM OF 8'-6" FROM GROUND LEVEL TO BOTTOM OF PROPOSED SHROUD.
 - MAINTAIN MINIMUM OF 42" FROM TOP COMMUNICATION ATTACHMENT TO BOTTOM SECONDARY POWER ATTACHMENT.
 - MAINTAIN MINIMUM OF 48" CLEARANCE IN ANY DIRECTION FROM ANTENNA AND MOUNTING BRACKET TO NEAREST SECONDARY POWER CONNECTION.
 - MAINTAIN MINIMUM OF 12" FROM TOP COMMUNICATIONS LINE TO ANY ADDITIONAL COMMUNICATIONS LINE.
 - MAINTAIN MINIMUM OF 5' FROM GROUND LEVEL TO METER LOCATION.
 - MAINTAIN MINIMUM OF 6" CLEARANCE IN ANY DIRECTION FROM ANTENNA AND MOUNTING BRACKET TO NEAREST PRIMARY POWER CONNECTION.
 - EQUIPMENT TO BE INSTALLED ON OPPOSITE SIDE OF TRAFFIC FLOW.
 - POWER SUPPLY & WEATHERHEAD SHOULD BE INSTALLED ON THE SAME SIDE OF THE POLE WITH THE SECONDARY(S) AND COMMUNICATION CABLE(S) TO ACCOMMODATE CLIMBING OF THE POLE.

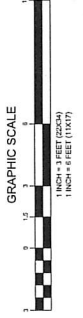
ATTACHMENT HEIGHTS, ANTENNA AND EQUIPMENT LOCATIONS
PENDING MAKE-READY AND STRUCTURAL ANALYSIS



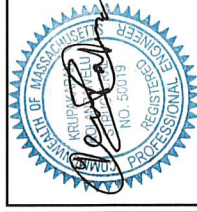
PROPOSED ELEVATION (LOOKING SOUTHWEST)



EXISTING ELEVATION (LOOKING SOUTHWEST)



REV	DATE	DESCRIPTION	BY
1	04/17/19	PRELIMINARY	CA
2	08/09/19	FINAL	ONE
3	09/12/19	REVISED	NSR
4	01/20/20	MOUNT REVISED	DRP

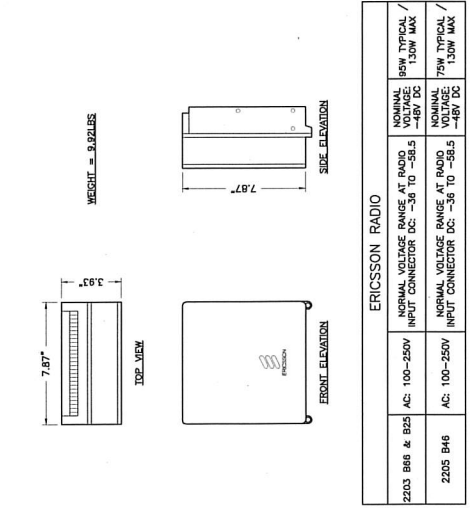


KRUPAKARAN NOLANDANIELLU, P.E.
MA PROFESSIONAL ENGINEER LIC. #50919

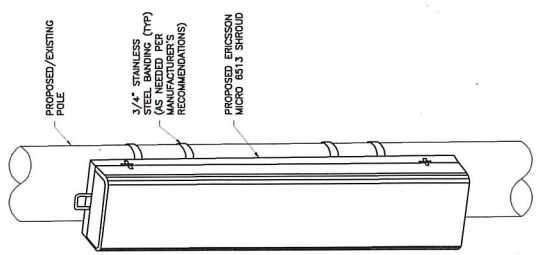
ANTENNA & EQUIPMENT DETAILS

SHEET NUMBER
04 OF 05

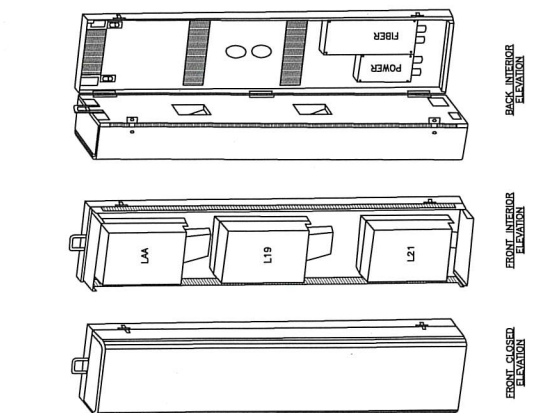
ENGINEERING FIRM APPLICANT SITE INFORMATION DESIGN RECORD PROFESSIONAL STAMP ENGINEER SHEET TITLE SHEET NUMBER



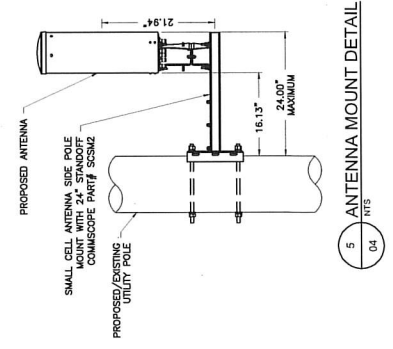
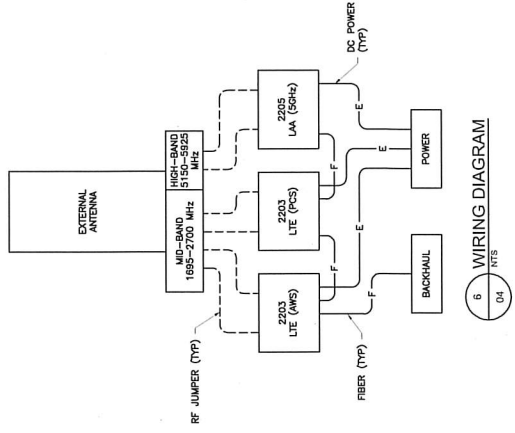
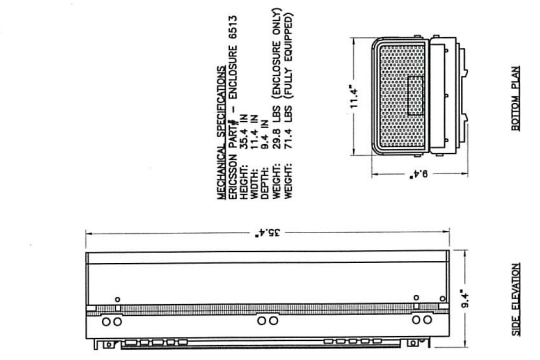
3 ERICSSON REMOTE RADIO UNIT (RRU)



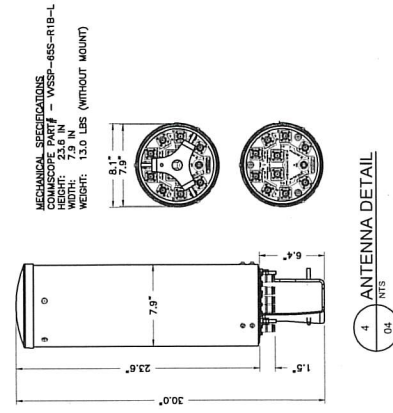
2 EQUIPMENT MOUNTING DETAIL



1 ERICSSON MICRO 6513 SHROUD DETAIL



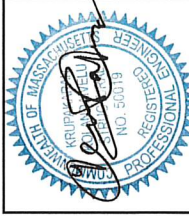
5 ANTENNA MOUNT DETAIL



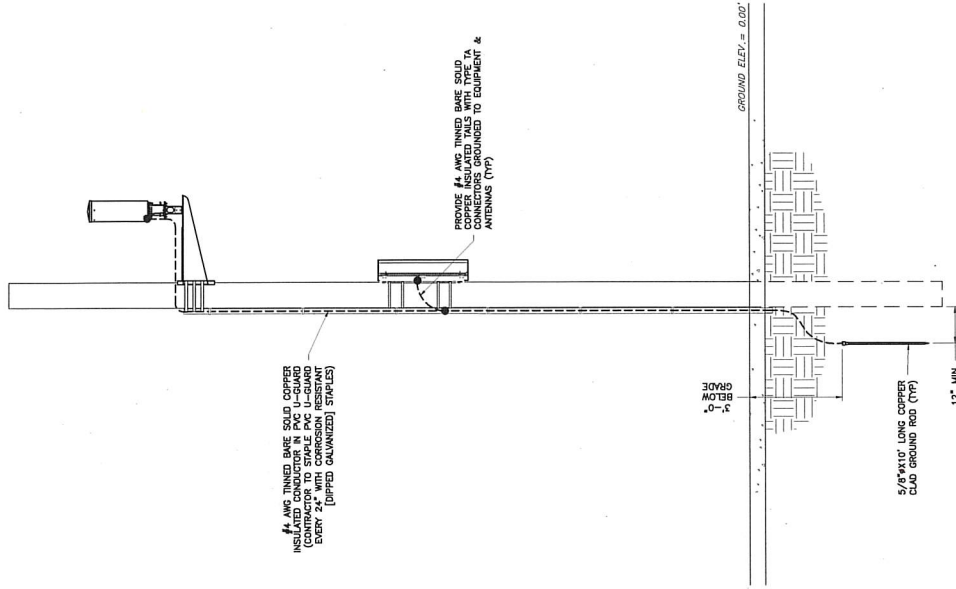
4 ANTENNA DETAIL

REVISIONS

REV	DATE	DESCRIPTION	BY
4	01/26/20	MOUNT REVISED	DRG
3	09/13/19	REVISED	MEB
2	09/09/19	FINAL	CHE
1	05/16/19	POC REVISED	CA
0	04/17/19	PRELIMINARY	CA

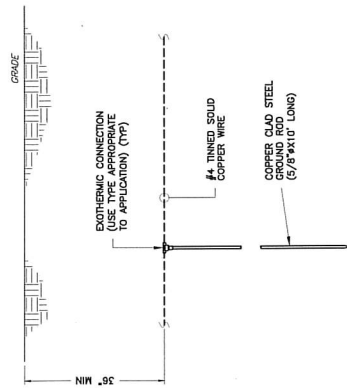


**ELECTRICAL
& GROUNDING
DETAILS**

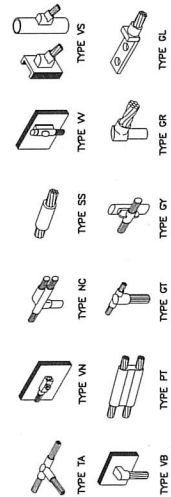


NOTE:
ANTENNAS, WIRE MESH,
SUPPORT AND EXHAUST EQUIPMENT
NOT SHOWN FOR CLARITY.

3 ELECTRICAL & GROUNDING RISER DIAGRAM



1 TYPICAL GROUND ROD DETAIL



2 GROUNDING CONNECTION DETAILS