



**CITY OF SOMERVILLE**  
Commonwealth of Massachusetts  
93 Highland Avenue  
Somerville, MA 02143  
(617) 625-6600

## BUSINESS LICENSE APPLICATION - Sign and Awning

File #: 23-006013  
License #: BL24-000078  
Address: 63 WASHINGTON ST  
Licensee: Oly Ravelo Ravelo's Auto Services  
DBA Name: Ravelo's Auto Service

Business Ownership Type: Corporation  
Legal Name of Entity: Ravelo's Auto Service Incorporation  
Owners/Officers: Oly Ravelo, Oly Ravelo, Oly Ravelo,

### **License Information:**

**# of signs/awnings:** 3 or more

**Describe:** 4 signs; aluminum, attached to the wall

Approval Conditions:

### **Approved By:**

**Albert Bargoot, Approved**

**Kimberly M. Wells, Approved**

**Andrea Torres, Approved**

**Joshua Manion, Approved**



**63 Washington St, Somerville, MA 02143**

**VIEW** Location

**Before**



Signage Department  
 www.msbrandingservices.com  
 info@masssafetycontractor.com  
**1-800-976-9577**  
 383 2nd St, Everett, MA 02149

PROJECT: Ravelos Auto Services  
 LOCATION: 163 Washington St, Somerville, MA 02143  
 DESCRIPTION: Aluminum Signage  
 QTY: 1

Process Detail	By	DATE	Folder: Projects	Date: 12/25/2024
			File Name: Ravelos	Scale: No scale
			<small>This drawing is the property of MSC (Mass Safety contractor Inc). This drawing is submitted under a confidential relationship for a specified purpose and the recipient, by accepting this document, assumes custody and agrees that this document will not be copied or reproduced in whole or in part, nor its contents revealed in any manner or to any person except to meet the purpose for which it was delivered without express written permission from MSC (Mass Safety contractor Inc).</small>	Drawn: UL 1/4
				Dwg By proposal: UL

# PROPOSED



Signage Department  
 www.msbrandingservices.com  
 info@masssafetycontractor.com  
**1-800-976-9577**  
 383 2nd St, Everett, MA 02149

PROJECT: Ravelos Auto Services  
 LOCATION: 163 Washington St, Somerville, MA 02143  
 DESCRIPTION: Aluminum Signage  
 QTY: 1

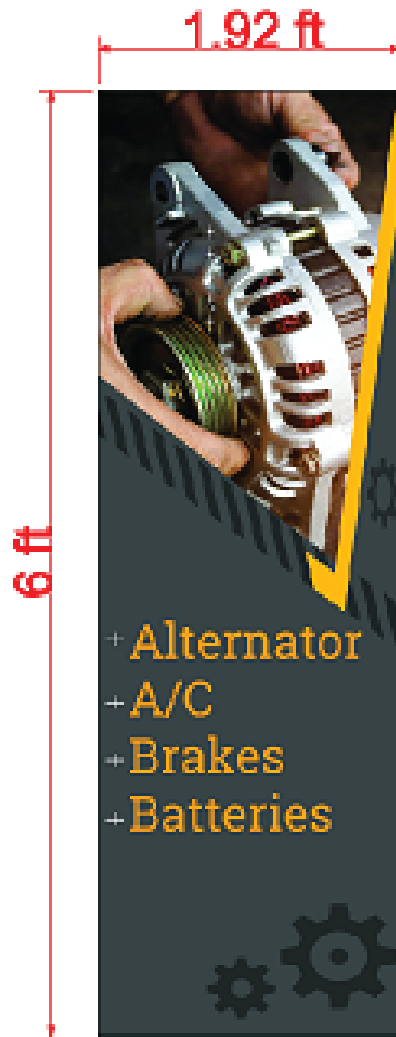
Process Detail	By	DATE

Folder: Projects  
 File Name: Ravelos  
This drawing is the property of MSC (Mass Safety contractor Inc). This drawing is submitted under a confidential relationship for a specified purpose and the recipient, by accepting this document, assumes custody and agrees that this document will not be copied or reproduced in whole or in part, nor its contents revealed in any manner or to any person except to meet the purpose for which it was delivered without express written permission from MSC (Mass Safety contractor Inc).

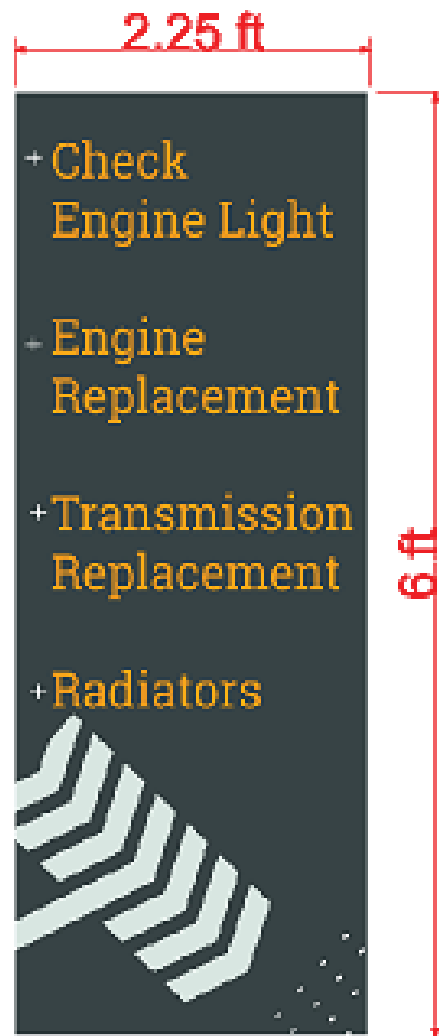
Date: 12/25/2024  
 Scale: No scale  
 Drawn: UL 2/4  
 Dwg By proposal: UL



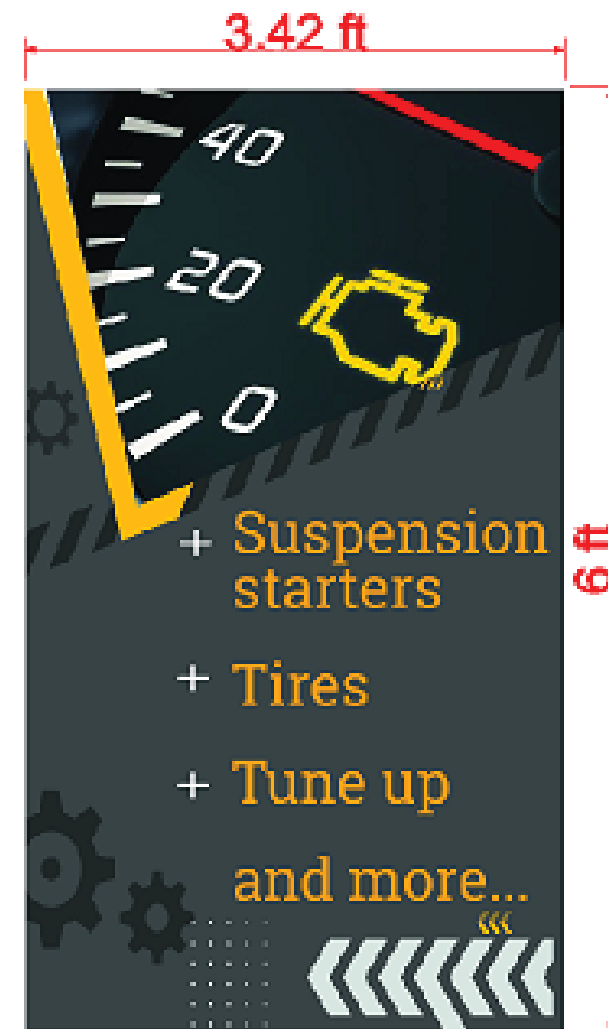
AREA Sq.F 32



AREA Sq.F 11.52



AREA Sq.F 13.50



AREA Sq.F 20.52

VIEW Fabrication Details



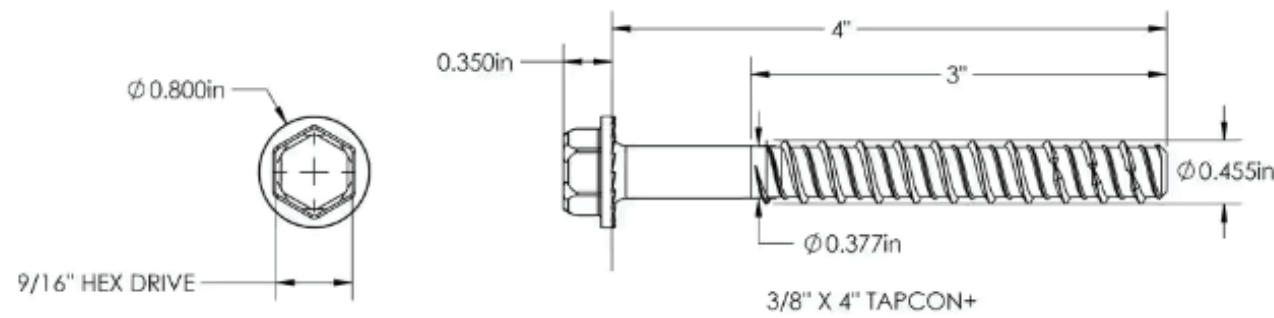
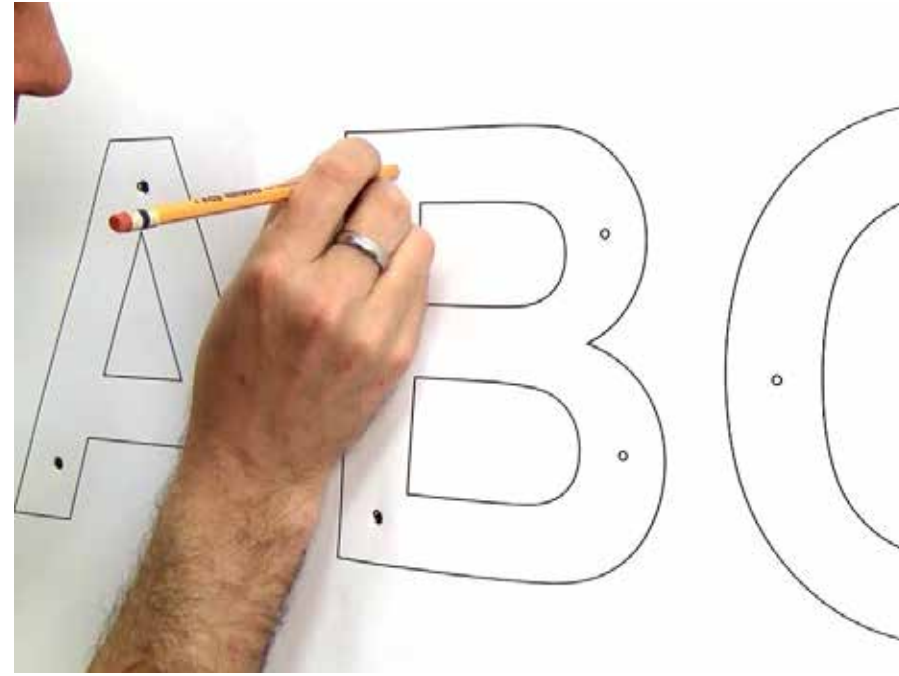
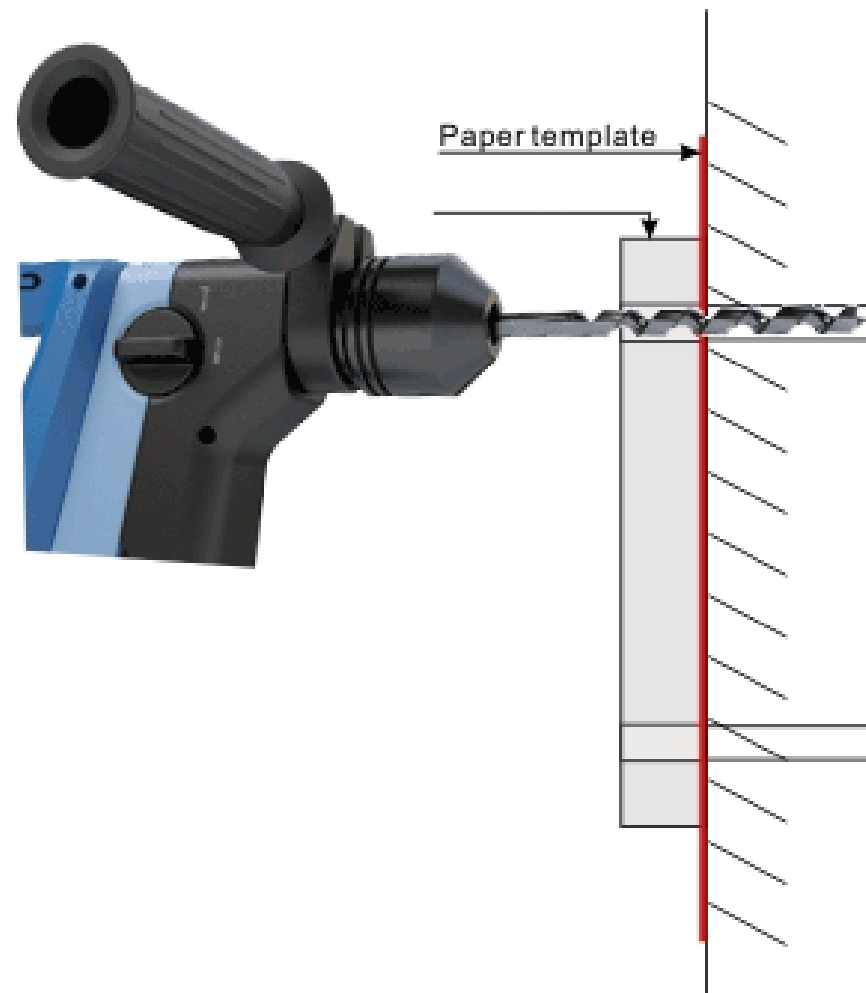
Signage Department  
 www.mscbrandingservices.com  
 info@masssafetycontractor.com  
**1-800-976-9577**  
 383 2nd St, Everett, MA 02149

PROJECT: Ravelos Auto Services
LOCATION: 163 Washington St, Somerville, MA 02143
DESCRIPTION: Aluminum Signage
QTY: 1

Process Detail	By	DATE

Folder: Projects  
 File Name: Ravelos  
This drawing is the property of MSC (Mass Safety contractor Inc). This drawing is submitted under a confidential relationship for a specified purpose and the recipient, by accepting this document, assumes custody and agrees that this document will not be copied or reproduced in whole or in part, nor its contents revealed in any manner or to any person except to meet the purpose for which it was delivered without express written permission from MSC (Mass Safety contractor Inc).

Date: 12/25/2024
Scale: No scale
Drawn: UL <span style="float: right;">3/4</span>
Dwg By proposal: UL



## Direct wall mounted 3/8 in. x 4 in. Concrete Anchors

**VIEW** Installation



Signage Department  
 www.msbrandingservices.com  
 info@masssafetycontractor.com  
**1-800-976-9577**  
 383 2nd St, Everett, MA 02149

PROJECT: Ravelos Auto Services  
 LOCATION: 163 Washington St, Somerville, MA 02143  
 DESCRIPTION: Aluminum Signage  
 QTY: 1

Process Detail	By	DATE

Folder: Projects  
 File Name: Ravelos  
This drawing is the property of MSC (Mass Safety contractor Inc). This drawing is submitted under a confidential relationship for a specified purpose and the recipient, by accepting this document, assumes custody and agrees that this document will not be copied or reproduced in whole or in part, nor its contents revealed in any manner or to any person except to meet the purpose for which it was delivered without express written permission from MSC (Mass Safety contractor Inc).

Date: 12/25/2024  
 Scale: No scale  
 Drawn: UL 4/4  
 Dwg By proposal: UL