



**CITY OF SOMERVILLE**  
Commonwealth of Massachusetts  
93 Highland Avenue  
Somerville, MA 02143  
(617) 625-6600

## BUSINESS LICENSE APPLICATION - Small Wireless Facility

File #: 24-002520  
License #: BL24-000023  
Address: 29 GRANITE ST  
Licensee: Ana Semashka Crown Castle  
DBA Name: Crown Castle Fiber LLC

Business Ownership Type: LLC  
Legal Name of Entity: Crown Castle Fiber LLC  
Owners/Officers: , , ,

### License Information:

**Do you believe this to be a 6409(a) application?:** Yes

**Describe the reason for the work, and the intended beneficiaries:** Upgrade existing small cell wireless equipment at existing locations, licensed in 2008, no trenching/excavation required, to provide improved service to the community, and emergency services coverage

**Provide the detailed description of the work that should appear on the License:** Upgrade existing small cell wireless equipment at existing locations

**# of installations on existing poles:** 0

**# of installations on new poles:** 1

**Provide the legal name of the entity that will own the License:** Crown Castle Fiber LLC

Approval Conditions:

### Approved By:

**John Power, Approved with Conditions**

Electrical Review approved, conditional upon electrical permit applications/approvals for scope of work are obtained.

Electrical Review approved, conditional upon pole replacement prior to equipment being upgraded as per attached structural analysis of pole, document dated 9/8/2023

**Isabela Maia, Approved with Conditions**

APPROVAL CONDITION IMM 240520: Any work requiring the use of the street and/or sidewalk will require a Street/Sidewalk Occupancy Permit from the Engineering Department. Apply via Citizen Serve before occupancy.

**Malik Drayton, Approved with Conditions**

APPROVAL CONDITION: MD20240514: Contractor shall take all necessary precautions to avoid damaging any tree or tree part with equipment.

APPROVAL CONDITION: MD20240514 All nearby street tree(s) shall be protected prior to and during all construction activities using TREE BOX or TREE WRAPS. . TREE BOX shall be constructed from 2 in. x 4 in. lumber creating a box around the border of the tree pit with 2 in. x 4 in. lumber standing straight up at the corners and wrapped with orange snow fence. Detail attached. . TREE WRAPS (TREE TRUNK WRAPPING PROTECTION LUMBER) shall consist of 2 in. x 4 in. and 8 ft. height lumber wired together in close spacing with zip ties or 16 gauge galvanized steel wire to form a protective enclosure around tree

trunks. Use burlap to separate the wood from the bark if necessary to prevent wood from scraping or bruising bark. Do not use staples or puncture the trunk in any way.

APPROVAL CONDITION: MD20240514: Any tree roots less than two (2) inches in diameter that cannot be avoided during construction shall be carefully and cleanly cut with a clean pair of pruning shears or loppers. Roots are to be cut back flush with the edge of the trench. If any tree roots greater than two (2) inches in diameter are encountered, stop work immediately and contact the City Urban Forester. Any and all pruning of roots greater than 2 inches in diameter must be completed under the supervision of the City Urban Forester.

**Eric Weisman, Approved**

**Joshua Manion, Approved**

**Kimberly M. Wells, Approved**



CITY OF SOMERVILLE, MASSACHUSETTS  
CITY CLERK'S OFFICE  
KATJANA BALLANTYNE  
MAYOR

KIMBERLY M. WELLS  
CITY CLERK

August 13, 2024

**NOTICE OF PUBLIC HEARING**

You are hereby notified that the Somerville City Council will hold a Public Hearing on the following Petition. You are receiving this Notice because the Petitioner has reported that you own property that abuts the work that is being proposed. You and other members of the public are invited to attend and be heard at this Hearing.

**This meeting of the City Council will also be conducted via remote participation, online in a webinar hosted on the Zoom platform.**

You have three ways to be heard at this meeting:

1. To attend and be heard, enter the link exactly as it appears below into your internet browser any time before the meeting. You will then be asked to register for the meeting. After registering, you will receive an email with instructions to join the webinar when it starts.
2. You may also testify in person in the City Council Chamber, City Hall, 2<sup>nd</sup> Floor, 93 Highland Avenue, Somerville, MA 02143
3. If you are unable to attend but wish to be heard, you may send written comments by US mail to the City Clerk at the address below, or by email to [cityclerk@somervillema.gov](mailto:cityclerk@somervillema.gov). Your comments must arrive no later than 12 Noon on the day of the Hearing, in order to be sure they are conveyed to the Council.

**PETITION:** Crown Castle Fiber seeks a Small Wireless Facility to replace existing utility pole and install a small cell wireless antenna on a new utility pole located at the intersection of Granite Street and Osgood Street.

**PLACE:** [https://us02web.zoom.us/webinar/register/WN\\_rTQmfy-RQCG\\_QqKLjtYHsA](https://us02web.zoom.us/webinar/register/WN_rTQmfy-RQCG_QqKLjtYHsA) or  
City Council Chambers, City Hall, 2<sup>nd</sup> Floor, 93 Highland Avenue, Somerville, MA 02143

**TIME:** Thursday, August 22, 2024, at 7:00 PM.

**PURPOSE:** The work is necessary to provide or improve wireless communication to the immediate area.



# PROPOSED SMALL CELL NODE UPGRADE

**NODE ID: ODAS\_2D-12**  
**T-MOBILE ID: NE0508BA\_61LAB**  
**SCU#: 406403**  
 29 GRANITE ST, SOMERVILLE, MA 02143  
 MIDDLESEX COUNTY

**LATITUDE: 42.383548°**  
**N 42° 23' 0.8"**  
**LONGITUDE: -71.102683°**  
**W 71° 06' 9.7"**



Know what's below.  
 Call before you dig.

ENGINEERING FIRM



APPLICANT



SITE INFORMATION

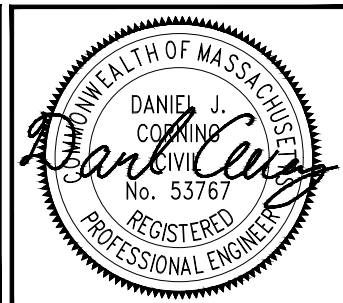
ODAS\_2D-12  
 29 GRANITE ST  
 SOMERVILLE, MA 02143  
 MIDDLESEX COUNTY

DESIGN RECORD

### REVISIONS

REV	DATE	DESCRIPTION	BY
1	11/09/23	EXISTING POLE HEIGHT	CSG
0	09/15/23	FINAL	CWE

PROFESSIONAL STAMP



ENGINEER

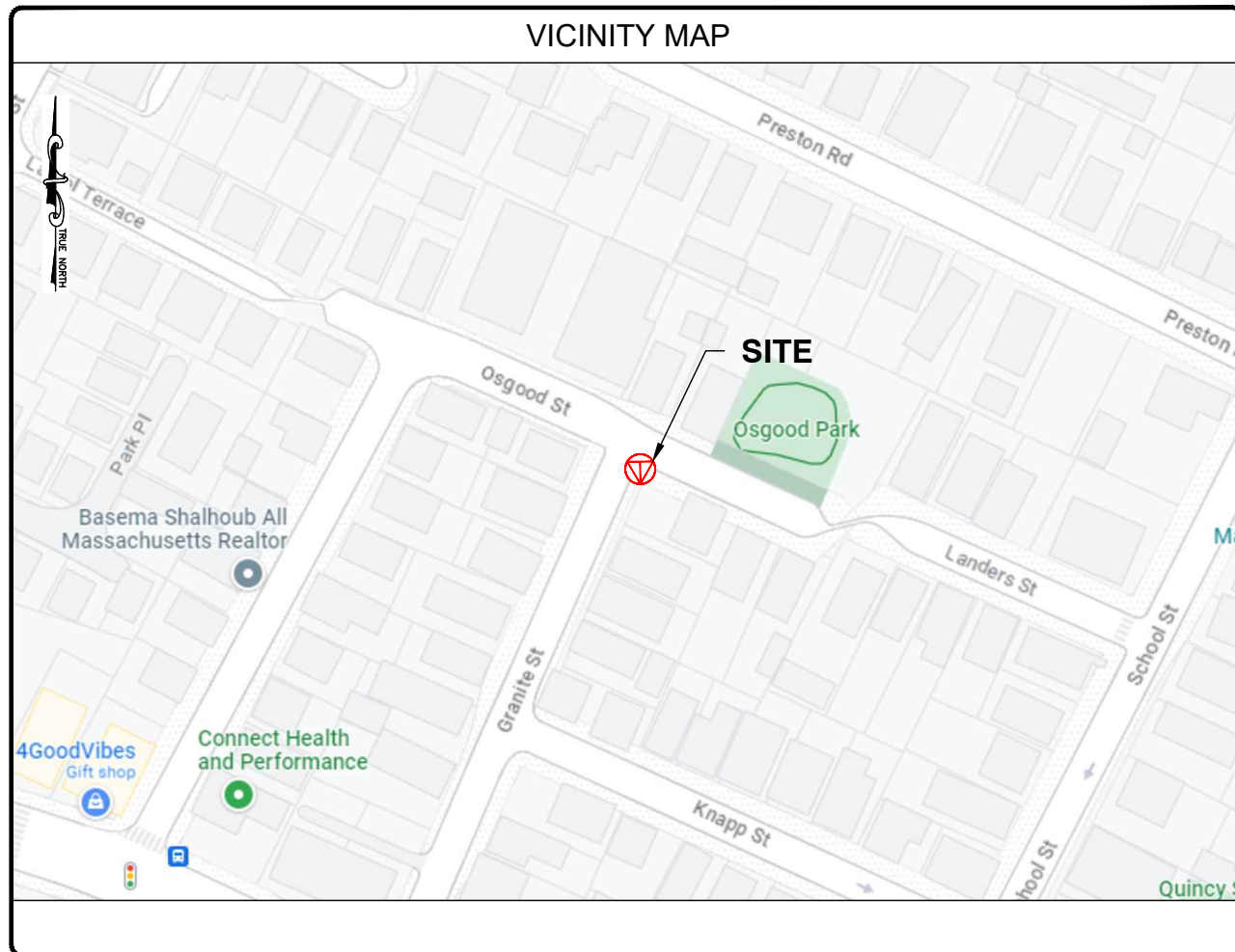
DANIEL J. CORNING, P.E.  
 MA PROFESSIONAL ENGINEER LIC #53767

SHEET TITLE

**TITLE SHEET**

SHEET NUMBER

**SHEET 01 OF 08**



PROJECT INFORMATION	
PROJECT NAME:	CAMBRIDGE MA TID_00035_69 NODES
JURISDICTION:	SOMERVILLE
CROWN CASTLE PROJECT MANAGER:	ERIC PECKHAM 1800 W PARK DRIVE WESTBOROUGH, MA 01581 (401) 473-8630
ELECTRIC COMPANY:	EVERSOURCE
TELEPHONE COMPANY:	VERIZON

CODE COMPLIANCE	
ALL WORK AND MATERIALS SHALL BE PERFORMED AND INSTALLED IN ACCORDANCE WITH THE CURRENT EDITIONS OF THE FOLLOWING CODES AS ADOPTED BY THE LOCAL GOVERNING AUTHORITIES. NOTHING IN THESE PLANS IS TO BE CONSTRUED TO PERMIT WORK NOT CONFORMING TO THE LATEST EDITIONS OF THE FOLLOWING CODES.	
<ul style="list-style-type: none"> <li>2015 INTERNATIONAL BUILDING CODE (MASSACHUSETTS AMENDED 9TH EDITION)</li> <li>2023 NATIONAL ELECTRICAL CODE</li> <li>NFPA 1-2015 EDITION</li> <li>2015 IFC - REFERENCE 527 CMR</li> <li>AMERICAN CONCRETE INSTITUTE</li> <li>AMERICAN INSTITUTE OF STEEL CONSTRUCTION</li> <li>MANUAL OF STEEL CONSTRUCTION 13TH EDITION</li> </ul>	<ul style="list-style-type: none"> <li>ANSI/TIA-222-G</li> <li>TIA 607</li> <li>INSTITUTE FOR ELECTRICAL &amp; ELECTRONICS ENGINEER 81</li> <li>IEEE C2 NATIONAL ELECTRIC SAFETY CODE LATEST EDITION</li> <li>TELECORDIA GR-1275</li> <li>ANSI/T 311</li> </ul>

DRAWING INDEX	
01	TITLE SHEET
02	NOTES
03	SITE PLAN & EQUIPMENT ORIENTATION PLAN
04	ELEVATIONS & NOTES
05	PHOTO SIMULATION
06	ANTENNA & EQUIPMENT DETAILS
07	GROUNDING DETAILS & WIRING DIAGRAM
08	TRAFFIC MANAGEMENT PLAN



**GENERAL NOTES:**

- THE CONTRACTOR SHALL GIVE ALL NOTICE AND COMPLY WITH ALL LAWS, ORDINANCES, RULES, REGULATIONS AND LAWFUL ORDERS OF ANY PUBLIC AUTHORITY, MUNICIPAL AND UTILITY COMPANY SPECIFICATIONS, AND LOCAL AND STATE JURISDICTIONAL CODES BEARING ON THE PERFORMANCE OF THE WORK. THE WORK PERFORMED ON THE PROJECT AND THE MATERIALS INSTALLED SHALL BE IN STRICT ACCORDANCE WITH ALL APPLICABLE CODES, REGULATIONS AND ORDINANCES.
- THE ARCHITECT/ENGINEER HAS MADE EVERY EFFORT TO SET FORTH IN THE CONSTRUCTION AND CONTRACT DOCUMENTS THE COMPLETE SCOPE OF WORK. THE CONTRACTOR BIDDING THE JOB IS NEVERTHELESS CAUTIONED THAT MINOR OMISSIONS OR ERRORS IN THE DRAWINGS AND SPECIFICATIONS SHALL NOT EXCUSE SAID CONTRACTOR FROM COMPLETING THE PROJECT AND IMPROVEMENTS IN ACCORDANCE WITH THE INTENT OF THESE DOCUMENTS.
- THE CONTRACTOR OR BIDDER SHALL BEAR THE RESPONSIBILITY OF NOTIFYING (IN WRITING) THE CROWN CASTLE CONSTRUCTION MANAGER OF ANY CONFLICTS, ERRORS, OR OMISSIONS PRIOR TO THE SUBMISSION OF CONTRACTOR'S PROPOSAL OR PERFORMANCE OF WORK. IN THE EVENT OF DISCREPANCIES THE CONTRACTOR SHALL PRICE THE MORE COSTLY OR EXTENSIVE WORK, UNLESS DIRECTED IN WRITING OTHERWISE.
- THE SCOPE OF WORK SHALL INCLUDE FURNISHING ALL MATERIALS, EQUIPMENT, LABOR AND ALL OTHER MATERIALS AND LABOR DEEMED NECESSARY TO COMPLETE THE WORK/PROJECT AS DESCRIBED HEREIN, EXCEPT FOR FIBER OPTIC CABLE AND OTHER MATERIALS IDENTIFIED BY CROWN CASTLE.
- THE CONTRACTOR SHALL VISIT THE JOB SITE PRIOR TO THE SUBMISSION OF BIDS OR PERFORMING WORK TO FAMILIARIZE HIMSELF WITH THE FIELD CONDITIONS AND TO VERIFY THAT THE PROJECT CAN BE CONSTRUCTED IN ACCORDANCE WITH THE CONTRACT DOCUMENTS.
- THE CONTRACTOR SHALL OBTAIN AUTHORIZATION TO PROCEED WITH CONSTRUCTION PRIOR TO STARTING WORK ON ANY ITEM NOT CLEARLY DEFINED BY THE CONSTRUCTION DRAWING/CONTRACT DOCUMENTS.
- THE CONTRACTOR SHALL INSTALL ALL EQUIPMENT AND MATERIALS ACCORDING TO THE MANUFACTURER'S/VENDOR'S SPECIFICATION UNLESS NOTED OTHERWISE OR WHERE LOCAL CODES OR ORDINANCES TAKE PRECEDENCE.
- THE CONTRACTOR SHALL PROVIDE A FULL SET OF CONSTRUCTION DOCUMENTS AT THE SITE UPDATED WITH THE LATEST REVISIONS AND ADDENDUMS OR CLARIFICATIONS AVAILABLE FOR THE USE BY ALL PERSONNEL INVOLVED WITH THE PROJECT.
- THE CONTRACTOR SHALL SUPERVISE AND DIRECT THE PROJECT DESCRIBED HEREIN. THE CONTRACTOR SHALL BE SOLELY RESPONSIBLE FOR ALL CONSTRUCTION MEANS, METHODS, TECHNIQUES, SEQUENCES AND PROCEDURES AND FOR COORDINATING ALL PORTIONS OF THE WORK UNDER THE CONTRACT.
- THE CONTRACTOR SHALL BE RESPONSIBLE FOR OBTAINING, AND KEEPING A COPY ON SITE, ALL PERMITS AND INSPECTIONS WHICH MAY BE REQUIRED FOR THE ARCHITECT/ENGINEER, THE STATE, COUNTY OR LOCAL GOVERNMENT AUTHORITY.
- THE CONTRACTOR SHALL MAKE NECESSARY PROVISIONS TO PROTECT EXISTING IMPROVEMENTS, EASEMENTS, PAVING, CURBING, ETC. DURING CONSTRUCTION. UPON COMPLETION OF WORK, THE CONTRACTOR SHALL REPAIR ANY DAMAGE THAT MAY HAVE OCCURRED DUE TO CONSTRUCTION ON OR ABOUT THE PROPERTY TO ORIGINAL OR BETTER CONDITION.
- THE CONTRACTOR SHALL KEEP THE GENERAL WORK AREA CLEAN AND HAZARD FREE DURING CONSTRUCTION AND DISPOSE OF ALL DEBRIS IN THE MANNER AND REMOVE EQUIPMENT NOT SPECIFIED AS REMAINING ON THE PROPERTY. PREMISES SHALL BE LEFT IN CLEAN CONDITION AND FREE FROM PAINT SPOTS, DUST, OR SMUDGES OF ANY NATURE.
- THE CONTRACTOR SHALL COMPLY WITH ALL OSHA REQUIREMENTS AS THEY APPLY TO THIS PROJECT.
- THE CONTRACTOR SHALL NOTIFY THE CROWN CASTLE CONSTRUCTION MANAGER WHERE A CONFLICT OCCURS ON ANY OF THE CONTRACT DOCUMENTS. THE CONTRACTOR IS NOT TO ORDER MATERIAL OR CONSTRUCT ANY PORTION OF THE WORK THAT IS IN CONFLICT UNTIL IS RESOLVED BY THE CROWN CASTLE CONSTRUCTION MANAGER.
- THE CONTRACTOR SHALL VERIFY ALL DIMENSIONS, ELEVATIONS, PROPERTY LINES, ETC. ON THE PROJECT.
- OWNER/CONTRACTOR SHALL CONTACT ONE CALL MINIMUM 72 HOURS PRIOR TO THE START OF CONSTRUCTION FOR LOCATION OF EXISTING UNDERGROUND UTILITIES.
- SUBMITTAL OF BID INDICATES THAT THE CONTRACTOR IS COGNIZANT OF ALL JOB SITE CONDITIONS AND WORK TO BE PERFORMED UNDER THIS CONTRACT.
- THESE PLANS ARE DIAGRAMMATIC ONLY, FOLLOW AS CLOSELY AS POSSIBLE.
- CONTRACTOR SHALL COORDINATE ALL WORK BETWEEN TRADES AND ALL OTHER SCHEDULING AND PROVISIONARY CIRCUMSTANCES SURROUNDING THE PROJECT.
- CONTRACTOR SHALL PROVIDE ALL LABOR, MATERIALS, INSURANCE, EQUIPMENT, INSTALLATION CONSTRUCTION TOOLS, TRANSPORTATION, ETC., FOR COMPLETE AND FUNCTIONALLY OPERATING SYSTEMS ENERGIZED AND READY FOR USE THROUGHOUT AS INDICATED ON DRAWINGS, AS SPECIFIED HEREIN AND/OR AS OTHERWISE REQUIRED.
- CLEAN PREMISES OF ALL DEBRIS RESULTING FROM WORK AND LEAVE WORK IN A COMPLETE AND UNDAMAGED CONDITION. LEGALLY DISPOSE OF ALL REMOVED, UNUSED AND EXCESS MATERIAL GENERATED BY THE WORK OF THIS CONTRACT. DELIVER ITEMS INDICATED ON THE DRAWINGS TO THE OWNER IN GOOD CONDITION. OBTAIN SIGNED RECEIPT UPON DELIVERY.
- AFTER COMPLETION OF CONSTRUCTION, RED LINED AS-BUILT PLANS SHALL BE PROVIDED TO CROWN CASTLE CONSTRUCTION MANAGER.

**ELECTRICAL NOTES:**

- CONTRACTOR SHALL PERFORM ALL VERIFICATIONS, OBSERVATION TESTS, AND EXAMINATION WORK PRIOR TO ORDERING OF ANY EQUIPMENT AND THE ACTUAL CONSTRUCTION. CONTRACTOR SHALL ISSUE A WRITTEN NOTICE OF ALL FINDINGS TO THE PROJECT MANAGER LISTING ALL MALFUNCTIONS, FAULTY EQUIPMENT AND DISCREPANCIES.
- VERIFY HEIGHTS WITH PROJECT MANAGER PRIOR TO INSTALLATION.
- ALL MATERIALS AND EQUIPMENT SHALL BE NEW AND IN PERFECT CONDITION WHEN INSTALLED AND SHALL BE OF THE BEST GRADE AND OF THE SAME MANUFACTURER THROUGHOUT FOR EACH CLASS OR GROUP OF EQUIPMENT. ELECTRICAL MATERIALS SHALL BE LISTED AND APPROVED BY UNDERWRITER'S LABORATORIES AND SHALL BEAR THE INSPECTION LABEL "J" WHERE SUBJECT TO SUCH APPROVAL. MATERIALS SHALL MEET WITH APPROVAL OF ALL GOVERNING BODIES HAVING JURISDICTION OVER THE CONSTRUCTION. MATERIALS SHALL BE MANUFACTURED IN ACCORDANCE WITH ALL CURRENT APPLICABLE STANDARDS ESTABLISHED BY ANSL, NEMA AND NBFU. ALL MATERIALS AND EQUIPMENT SHALL BE APPROVED FOR THEIR INTENDED USE AND LOCATION.
- ALL WORK SHALL COMPLY WITH ALL APPLICABLE GOVERNING STATE, COUNTY AND CITY CODES AND OSHA, NFPA, NEC & ASHRAE REQUIREMENTS.
- ENTIRE JOB SHALL BE GUARANTEED FOR A PERIOD OF ONE (1) YEAR AFTER THE DATE OF JOB ACCEPTANCE. ALL WORK, MATERIAL AND EQUIPMENT FOUND TO BE FAULTY DURING THAT PERIOD SHALL BE CORRECTED AT ONCE, UPON WRITTEN NOTIFICATION, AT THE EXPENSE OF THE CONTRACTOR.
- PROPERLY SEAL ALL PENETRATIONS. PROVIDE UL LISTED FIRE-STOPS WHERE PENETRATIONS ARE MADE THROUGH FIRE-RATED ASSEMBLIES. WATER-TIGHT USING SILICONE SEALANT.
- DELIVER ALL BROCHURES, OPERATING MANUALS, CATALOGS AND SHOP DRAWINGS TO THE PROJECT MANAGER AT JOB COMPLETION. PROVIDE MAINTENANCE MANUALS FOR MECHANICAL EQUIPMENT. AFFIX MAINTENANCE LABELS TO MECHANICAL EQUIPMENT.
- ALL CONDUCTORS SHALL BE COPPER. MINIMUM CONDUCTOR SIZE SHALL BE #12 AWG, UNLESS OTHERWISE NOTED. CONDUCTORS SHALL BE TYPE THHW, RATED IN ACCORDANCE WITH NEC 110-14(C).
- ALL CIRCUIT BREAKERS, FUSES AND ELECTRICAL EQUIPMENT SHALL HAVE AN INTERRUPTING RATING NOT LESS THAN THE MAXIMUM INTERRUPTING CURRENT TO WHICH THEY MAY BE SUBJECTED.
- THE ENTIRE ELECTRICAL INSTALLATION SHALL BE GROUNDED IN ACCORDANCE WITH THE NATIONAL ELECTRICAL CODE; ARTICLES 250 & 810 AND THE UTILITY COMPANY STANDARDS.
- CONDUIT:**
  - RIGID CONDUIT SHALL BE U.L. LABEL GALVANIZED ZINC COATED WITH ZINC INTERIOR AND SHALL BE USED WHEN INSTALLED IN OR UNDER CONCRETE SLABS, IN CONTACT WITH THE EARTH, UNDER PUBLIC ROADWAYS, IN MASONRY WALLS OR EXPOSED ON BUILDING EXTERIOR. RIGID CONDUIT IN CONTACT WITH EARTH SHALL BE 1/2 LAPPED WRAPPED WITH HUNTS WRAP PROCESS NO. 3.
  - ELECTRICAL METALLIC TUBING SHALL HAVE U.L. LABEL, FITTINGS SHALL BE GLAND RING COMPRESSION TYPE. EMT SHALL BE USED ONLY FOR INTERIOR RUNS.
  - LIQUID-TIGHT FLEXIBLE METAL CONDUIT SHALL BE U.L. LISTED AND SHALL BE USED AT FINAL CONNECTIONS TO MECHANICAL EQUIPMENT & RECTIFIERS AND WHERE PERMITTED BY CODE. ALL CONDUIT IN EXCESS OF SIX FEET IN LENGTH SHALL CONTAIN A FULL-SIZE GROUND CONDUCTOR.

- CONDUIT RUNS SHALL BE SURFACE MOUNTED ON CEILINGS OR WALLS UNLESS NOTED OTHERWISE. ALL CONDUIT SHALL RUN PARALLEL OR PERPENDICULAR TO WALLS, FLOOR, CEILING, OR BEAMS. VERIFY EXACT ROUTING OF ALL EXPOSED CONDUIT WITH THE PROJECT MANAGER PRIOR TO INSTALLING.
- PVC CONDUIT MAY BE PROVIDED ONLY WHERE SHOWN, OR IN UNDERGROUND INSTALLATIONS. PROVIDE UV-RESISTANT CONDUIT WHERE EXPOSED TO THE ATMOSPHERE. PROVIDE GROUND CONDUCTOR IN ALL PVC RUNS; EXCEPT WHERE PERMITTED BY CODE TO OMIT.
- ALL ELECTRICAL EQUIPMENT SHALL BE LABELED WITH PERMANENT ENGRAVED PLASTIC LABELS. BACKGROUND SHALL BE BLACK WITH WHITE LETTERS; EXCEPT AS REQUIRED BY CODE TO FOLLOW A DIFFERENT SCHEME.
- UPON COMPLETION OF WORK, CONDUCT CONTINUITY, SHORT CIRCUIT, AND FALL OF POTENTIAL GROUNDING TESTS FOR APPROVAL. SUBMIT TEST REPORTS TO PROJECT MANAGER. GROUNDING SYSTEM RESISTANCE SHALL NOT EXCEED 5 OHMS; IF THE RESISTANCE VALUE IS EXCEEDED, NOTIFY THE PROJECT MANAGER FOR FURTHER INSTRUCTION ON METHODS FOR REDUCING THE RESISTANCE VALUE.
- COORDINATE WITH UTILITY COMPANY FOR CONNECTION OF TEMPORARY AND PERMANENT POWER TO THE SITE. THE TEMPORARY POWER AND ALL HOOKUP COSTS SHALL BE PAID BY THE CONTRACTOR.
- VERIFY ALL EXISTING CIRCUITRY PRIOR TO REMOVAL AND NEW WORK. MAINTAIN POWER TO ALL OTHER AREAS & CIRCUITS NOT SCHEDULED FOR REMOVAL.

**GROUNDING NOTES:**

- GROUNDING SHALL COMPLY WITH ARTICLE 250 OF THE NATIONAL ELECTRICAL CODE.
- ALL GROUNDING DEVICES SHALL BE U.L. APPROVED OR LISTED FOR THEIR INTENDED USE.
- ALL WIRES SHALL BE AWG THHN/THWN COPPER UNLESS NOTED OTHERWISE.
- GROUNDING CONNECTIONS TO GROUND RODS, GROUND RING WIRE, TOWER BASE AND FENCE POSTS SHALL BE EXOTHERMIC ("CADWELDS") UNLESS NOTED OTHERWISE. CLEAN SURFACES TO SHINY METAL. WHERE GROUND WIRES ARE CADWELDED TO GALVANIZED SURFACES, SPRAY CADWELD WITH GALVANIZING PAINT.
- GROUNDING CONNECTIONS TO GROUND BARS ARE TO BE TWO-HOLE BRASS MECHANICAL CONNECTORS WITH STAINLESS STEEL HARDWARE (INCLUDING SCREW SET) CLEAN GROUND BAR TO SHINY METAL. AFTER MECHANICAL CONNECTION, TREAT WITH PROTECTIVE ANTIOXIDANT COATING.
- GROUND COAXIAL CABLE SHIELDS AT BOTH ENDS WITH MANUFACTURER'S GROUNDING KITS.
- ROUTE GROUNDING CONDUCTORS THE SHORTEST AND STRAIGHTEST PATH POSSIBLE. BEND GROUNDING LEADS WITH A MINIMUM 12" RADIUS.
- INSTALL #6 AWG GREEN-INSULATED STRANDED WIRE FOR ABOVE GRADE GROUNDING AND #4 TINNED SOLID COPPER WIRE FOR BELOW GRADE GROUNDING UNLESS OTHERWISE NOTED.
- REFER TO GROUNDING PLAN FOR GROUND BAR LOCATIONS. GROUNDING CONNECTIONS SHALL BE EXOTHERMIC ("CADWELDS") UNLESS NOTED OTHERWISE. REMAINING GROUNDING CONNECTIONS SHALL BE COMPRESSION FITTINGS. CONNECTIONS TO GROUND BARS SHALL BE MADE WITH TWO-HOLE LUGS.
- THE GROUND ELECTRODE SYSTEM SHALL CONSIST OF DRIVEN GROUND RODS POSITION ACCORDING TO GROUNDING PLAN. THE GROUND RODS SHALL BE 5/8"x8'-0" COPPER CLAD STEEL INTERCONNECTED WITH #4 TINNED SOLID COPPER WIRE BURED 36" BELOW GRADE. BURY GROUND RODS A MAXIMUM OF 15' APART, AND A MINIMUM OF 6' APART (SECOND GROUND ROD ONLY REQUIRED IF RESISTIVITY TEST FAILS).
- IF ROCK IS ENCOUNTERED GROUND RODS SHALL BE PLACED AT AN OBLIQUE ANGLE NOT TO EXCEED 45'.
- EXOTHERMIC WELDS SHALL BE MADE IN ACCORDANCE WITH ERICO PRODUCTS BULLETIN A-AT OR EQUAL.
- CONSTRUCTION OF GROUND RING AND CONNECTIONS TO EXISTING GROUND RING SYSTEM SHALL BE DOCUMENTED WITH PHOTOGRAPHS PRIOR TO BACKFILLING SITE. PROVIDE PHOTOS TO THE CROWN CASTLE CONSTRUCTION MANAGER.
- ALL GROUND LEADS EXCEPT THOSE TO THE EQUIPMENT ARE TO BE #2 TINNED SOLID COPPER WIRE. ALL EXTERIOR GROUND BARS TINNED COPPER.
- PRIOR TO INSTALLING LUGS ON GROUND WIRES, APPLY THOMAS & BETTS KOPR-SHIELD (TM OF JET LUBE INC.). PRIOR TO BOLTING GROUND WIRE LUGS TO GROUND BARS, APPLY KOPR-SHIELD OR EQUAL.
- ENGAGE AN INDEPENDENT ELECTRICAL TESTING FIRM TO TEST AND VERIFY THAT IMPEDANCE DOES NOT EXCEED FIVE OHMS TO GROUND BY MEANS OF "FALL OF POTENTIAL TEST".
- WHERE BARE COPPER GROUND WIRES ARE ROUTED FROM ANY CONNECTION ABOVE GRADE TO GROUND RING, INSTALL WIRE IN 3/4" PVC SLEEVE, FROM 1' BELOW GRADE AND SEAL TOP WITH SILICONE MATERIAL.
- PREPARE ALL BONDING SURFACES FOR GROUNDING CONNECTIONS BY REMOVING ALL PAINT AND CORROSION DOWN TO SHINY METAL FOLLOWING CONNECTION, APPLY APPROPRIATE ANTI-OXIDIZATION PAINT.
- ANY SITE WHERE THE EQUIPMENT (BTS, CABLE BRIDGE, PPC, GENERATOR, ETC.) IS LOCATED WITHIN 6 FEET OF METAL FENCING, THE GROUND RING SHALL BE BONDED TO THE NEAREST FENCE POST USING (3) RUNS OF #2 BARE TINNED COPPER WIRE.

**GROUNDING GUIDELINES:**

ALL EQUIPMENT THAT IS INSTALLED AND MAY CAUSE ANY KIND OF ELECTRICAL CHARGE OR BUILD UP MUST HAVE PROPER AND ADEQUATE GROUNDING IN PLACE TO PREVENT FROM EQUIPMENT DAMAGE AND SHOCK HAZARDS.

**RRH'S**  
MUST BE GROUND TO A MAIN BUSS BAR OR HOME RUN GROUND FROM THE GROUND PIN OR STUD THAT IS ON THE CHASSIS. IF ANY EQUIPMENT HAS A GROUND POINT ON IT, IT SHOULD BE GROUND TO GROUNDING CABLE SIZE SHOULD FOLLOW LOCAL GUIDELINES ON EQUIPMENT GROUNDING. NORMALLY THE STANDARD IS 6 UV RATED STRANDED GROUND CABLE TO BE USED ON RRH'S. THE LUG NEEDS TO FIT THE PROPER CABLE SIZE AS WELL AS THE HOLE SIZE FOR THE STUD. IF IT'S A SINGLE STUD IT SHOULD BE A ONE HOLE LUG. IF IT HAS A PLACE FOR TWO HOLE LUG THEN THAT SHOULD BE USED. (I.E. COMMSCOPE ION M HAS A SINGLE STUD GROUND, TE PRISM HAS A GROUND FOR A 2 HOLE LUG.) DO NOT CUT THE LUGS TO FIT. THEY MAKE LUGS IN ALL SHAPES AND SIZES. ORDER THE CORRECT ONE AND ATTACH IT PROPERLY.

**COAX GROUNDS**  
IN LINE GROUNDS SHOULD BE INSTALLED WITH THE PROPER SIZE GROUND KITS ON ALL COAX CABLES. THE KITS ARE INSTALLED ON FRONT AND BACK OF COAX RUNS OVER APPROXIMATELY 15 FEET. ANYTHING OVER 300 FEET NEEDS AN ADDITIONAL GROUND AROUND THE 150 FOOT MARK.

**SURGE ARRESTORS**  
IF IT HAS A PLACE FOR A GROUND – GROUND IT.

**MAST PIPES**  
ALL MAST PIPES SHOULD BE GROUND WITH BEAR METAL ON THE PLACE THE GROUND IS ATTACHED AND THEN COLD GALVANIZATION OVER THE BARE METAL TO PREVENT RUST. THE GROUND CAN BE ATTACHED MECHANICALLY OR AN EXOTHERMIC WELD (CAD WELD) MAY BE USED. IF THE MAST PIPE IS THE TALLEST POINT ON A BUILDING IT SHOULD ALSO HAVE A LIGHTNING ROD ATTACHED TO IT AS WELL.

**DIPLEXERS/DUPLEXERS/SPLITTERS/PASSIVE COMPONENTS**  
IF IT HAS A PLACE FOR A GROUND TO BE INSTALLED – INSTALL IT.

ANY STRUCTURE OR FRAME SHOULD HAVE 2 GROUND WIRE, I.E. MAST PIPES, OUTDOOR ENCLOSURES, SHROUDS, BUSS BAR HOME RUN TO EARTH GROUND. ALL EQUIPMENT HAS 6 TO BUSS BARS.

ALL BUSS BARS NEED TO HAVE A LINK TO AN EARTH GROUND SYSTEM AND MUST BE ISOLATED IF MOUNTED ON ANYTHING THAT MAY RETAIN AN ELECTRIC CHARGE. NO EXCEPTIONS. ALL EQUIPMENT SHOULD RUN TO BUSS BARS. LUGS ON BUSS BARS SHOULD HAVE FRONT AND BACK FLAT WASHERS SANDWICHING THE LUG(S) TO THE BAR AND NOT OVERLAPPING CAUSING IT TO HOLD OR PIN DOWN OTHER LUGS ON THE BAR. THERE SHOULD ALWAYS BE A LOCK WASHER CLOSEST TO THE NUT ON THE BOLT FOR A LUG. NEVER IS IT OK TO STACK LUGS ON TOP OF EACH OTHER. IF THERE IS NOT ENOUGH SPACE, GET A BIGGER BUSS BAR. THEY SHOULD ALL HAVE A DIRECT CONTACT TO A BUSS BAR WITH NO-OX COATED BETWEEN THE LUG AND THE BUSS BAR. ALL GROUNDS SHOULD HAVE HEAT SHRINK OVER THE LUG (UNLESS IT'S NON-JACKETED WIRE). ALL LUGS NEED TO BE CRIMPED ON SECURELY WITH THE PROPER DYE AND TOOL (NOT CHANNEL LOCK CRIMPED). THERE SHOULD BE NO MORE THAN 1/16 INCH BARE CABLE SHOWING (SHINER) BETWEEN THE JACKET AND THE LUG. INSIDE LUGS SHOULD HAVE CLEAR HEAT SHRINK TO INSPECT THE CRIMPS AND SHINERS. INSIDE LUGS SHOULD HAVE INSPECTION WINDOWS TO SHOW THE GROUND WIRE IS INSERTED INTO THE LUG ALL THE WAY AND IS PROPERLY INSTALLED. OUTDOOR LUGS MAY HAVE BLACK OR GREEN HEAT SHRINK.

**WEATHER SEAL GUIDELINES:**

- BUTYL**
- PRE WRAP ALL CONNECTIONS WITH BLACK ELECTRICAL TAPE TO COVER ALL METAL SHOWING TO PREVENT DAMAGE TO CONNECTOR WHEN WEATHER SEAL IS TO BE REMOVED. 3/4 INCH OR 2 INCH TAPE CAN BE USED FOR THIS PROCESS.
  - WRAP CONNECTIONS WITH BUTYL WEATHER SEALANT WITH TWO LAYERS TO FORM A CONE LIKE SHAPE, OVER LAPPING THE LAYERS BY AT LEAST 50%. MOLD SEALANT TO PROPER SHAPE. THIS STEP IS CRUCIAL OR THE BUTYL WILL LEAK OVER TIME.
  - WRAP SEALANT WITH 2 LAYERS OF 2 INCH TAP. (YOU CAN CUT INTO STRIPS IN TIGHT AREAS). FIRST WRAP SHOULD BE PULLED SMOOTH TO MAKE FINAL WRAPS CLEAN AND CRISP. 2ND WRAP SHOULD BE PULLED TIGHTER THAN FIRST TO HOLD SEALANT INTO PROPER (CONE LIKE) SHAPE. OVER LAPPING TAPE SHOULD COVER AT LEAST 50% OF EACH LAYER OF TAPE PRIOR.
  - UPON COMPLETION OF 2 LAYERS OF 2 INCH TAPE FINALIZE WITH AT LEAST 3 LAYERS OF 3/4 INCH TAPE. EACH WRAP OF TAPE SHOULD BE PULLED TIGHTER THAN WRAP BEFORE TO SQUEEZE SEALANT INTO A MOLD AND WILL PREVENT ANY SEALANT FROM LEAKING OUT THE SIDES OVER TIME. EACH LAYER SHOULD COVER PRIOR LAYERS AT LEAST 50%.
  - OVERLAP THE TAPE 50% OF THE PREVIOUS LAYER.
  - ALWAYS FINISH THE LAST WRAP OF TAPE GOING UP TO CREATE A SHINGLING OF THE TAPE SO IN THE WEATHER ANYTHING THAT RUNS DOWN THE CABLE WILL NOT LEAK INTO THE SEALANT. CUT THE END OF THE TAPE AND LAY IT ONTO THE FINISH. DO NOT STRETCH THE END OF THE TAPE. THIS WILL CAUSE THE TAPE TO PULL OFF OVER TIME AND CREATE A FLAGGING AFFECT.

**FUSION TAPE**

- CHECK TO MAKE SURE ALL CONNECTORS ARE TORQUED TO PROPER SPECIFICATIONS BEFORE YOU BEGIN.
- NOTE: THIS STEP DOES NOT NEED A CURTYSY WRAP BECAUSE THE TAPE DOES NOT ACTUALLY ADHERE TO THE CONNECTOR ITSELF BUT BINDS TO ITSELF. ALSO KNOWN AS "SELF-AMALGAMATING TAPE."
- WRAP CONNECTIONS FUSION TAPE SEALANT WITH TWO LAYERS TO FORM A CONE LIKE SHAPE. FUSION TAPE MUST OVER LAP AT LEAST 50% TO FORM A PROPER SEAL. COVER ALL OF THE BARE METAL SHOWING (AT LEAST 1-1/2 INCH PAST END OF CONNECTOR.)
- IF THIS "TAPE" IS NOT PULLED TIGHT WHILE WRAPPING YOU WILL NOT CREATE A PROPER SEAL, IT MUST BE STRETCHED TO CREATE BOND TO ITSELF.
- WRAP AT LEAST 2 LAYERS OF 3/4 INCH TAPE. EACH LAYER SHOULD COVER AT LEAST 50% OF PREVIOUS TAPE WRAP.
- ALWAYS FINISH THE LAST WRAP OF TAPE GOING UP TO CREATE A SHINGLING OF THE TAPE SO IN THE WEATHER ANYTHING THAT RUNS DOWN THE CABLE WILL NOT LEAK INTO THE SEALANT. CUT THE END OF THE TAPE AND LAY IT ONTO THE FINISH. DO NOT STRETCH THE END OF THE TAPE. THIS WILL CAUSE THE TAPE TO PULL OFF OVER TIME AND CREATE A FLAGGING AFFECT.

**HEAT SHRINK**

- PRE WRAP ALL CONNECTIONS WITH BLACK ELECTRICAL TAPE TO COVER ALL METAL SHOWING TO PREVENT DAMAGE TO CONNECTOR WHEN WEATHER SEAL IS TO BE REMOVED. 3/4 INCH OR 2 INCH TAPE CAN BE USED FOR THIS PROCESS.
- USE ONLY OUTDOOR RATED HEAT SHRINK THAT HAS THE SELF-ADHESIVE WHEN HEATED PROPERLY. THIS IS WHAT WILL CREATE THE SEAL TO THE CONNECTOR.
- MAKE SURE HEAT SHRINK COVERS ALL OF THE COUPLERS AND CONNECTIONS. HEAT THE HEAT SHRINK TO SHRINK TIGHTLY TO THE CONNECTIONS AND CABLE. MAKE SURE THE HEAT SHRINK IS SEALED TOP AND BOTTOM OF THE CONNECTIONS. ALSO CHECK TO MAKE SURE HEAT SHRINK WAS NOT OVER HEATED AND THERE ARE NO BREAKS IN SEAL THROUGH-OUT THE SHRINK TUBING.

**ANDREWS CLAM SHELL**

- PROPERLY TORQUE CONNECTOR TO SPECIFICATION.
- APPLY ONE LAYER OF 3/4 INCH BLACK TAPE AROUND ENTIRE CONNECTOR ENDING AT LEAST 1-1/2 INCHES PAST TOP AND BOTTOM OF CONNECTOR TO PREVENT ANY MOISTURE FROM STICKING TO THE CONNECTOR.
- INSPECT THE DEVICE TO MAKE SURE IT IS NOT CHIPPED, CRACKED OR ANY SIGNS OF NEGLECT THAT WILL TAKE AWAY FROM MAKING A FULL SEAL AROUND THE CONNECTOR.
- USE ONLY CORRECT SIZE PER CABLE AND CONNECTOR TYPE – I.E: 1/2 INCH FOR 1/2 INCH NOT 7/8TH FOR 1/2 INCH.
- FOLLOW DIRECTIONS THAT COME WITH PRODUCT – MOST CLAM SHELL TYPE SEALANT DEVICES WRAP AROUND OR CLAMP AROUND A CONNECTION POINT.
- BE CAREFUL WHEN SETTING LOCKING DEVICE INTO PLACE ON CLAM SHELL STYLE SEALANTS (THEY ARE PLASTIC AND TEND TO BREAK OR CRACK IN EXTREME WEATHER CONDITIONS WHEN LOCKING DEVICE CLOSED TO CREATE THE SEAL.) IF THE LOCKING MECHANISM CRACKS OR BREAKS, REPLACE IT. DO NOT TAPE THE CLAMP CLOSED OR TRY TO RE-ENGINEER IT.
- ONCE THE CLAMP IS ON AND LOCKED AROUND THE CONNECTOR THE PROCESS IS COMPLETE.

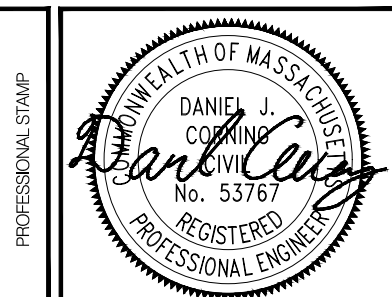
**PPC BOOT**

- PLACE BOOT OVER CABLE BEFORE CONNECTOR IS ATTACHED TO CABLE. THIS IS ONLY RATED FOR PPC TYPE CONNECTORS. (NOTE: IF THIS STEP IS SKIPPED OR NOT COMPLETED BEFORE MAKING A CONNECTOR THE SUBCONTRACTOR WILL NOT BE ABLE TO USE THE BOOT STYLE DEVICE TO SEAL THE CONNECTOR. IT IS NOT RECOMMENDED TO WASTE A CONNECTOR AND CUT IT OFF AND START AT STEP NO. 1 AGAIN. SINCE PPC CONNECTORS ARE NOT REUSABLE AND CAN GET QUITE EXPENSIVE. DO NOT TRY TO STRETCH THE BOOT TO SLIDE IT OVER THE CONNECTION.)
- PLACE THE BOOT OVER THE CABLE, AND THEN MAKE THE CONNECTOR.
- TORQUE THE CONNECTION TO PROPER SPECIFICATIONS.
- SLIDE BOOT UP TO COVER THE ENTIRE CONNECTOR, FOLLOWING THE PPC GUIDELINES.
- THIS PROCESS IS COMPLETE AT THIS TIME.



ODAS\_2D-12  
29 GRANITE ST  
SOMERVILLE, MA 02143  
MIDDLESEX COUNTY

REVISIONS			
REV	DATE	DESCRIPTION	BY
1	11/03/23	EXISTING POLE HEIGHT	CSG
0	09/15/23	FINAL	CVWE

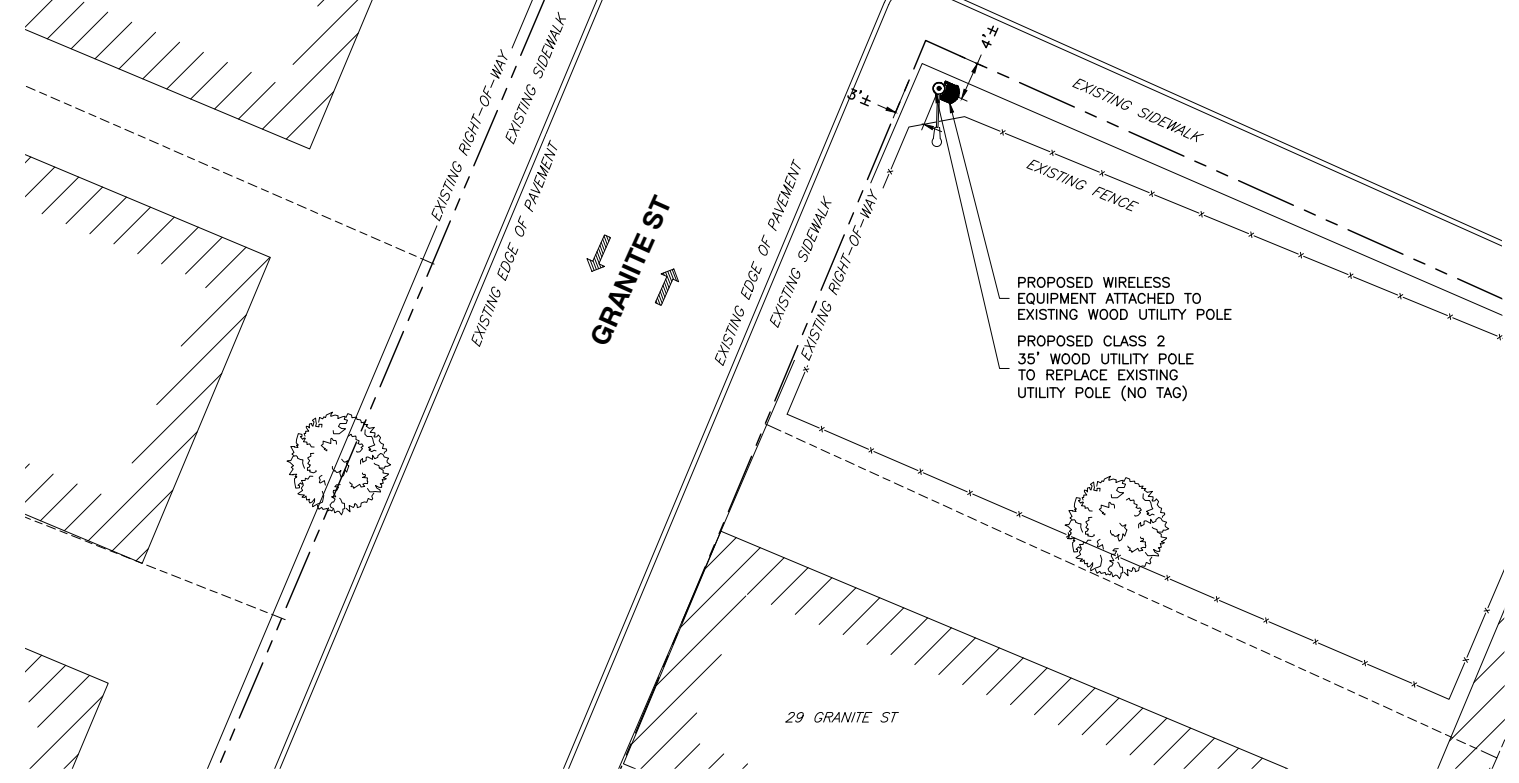
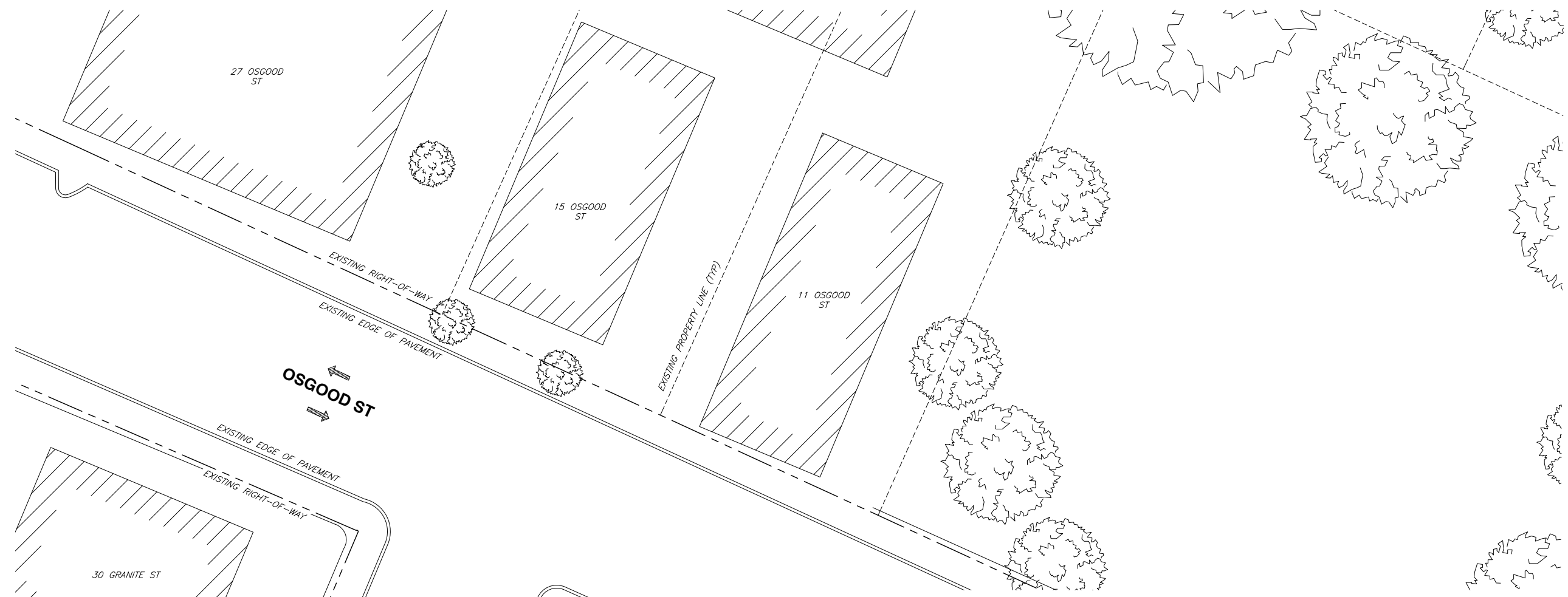


DANIEL J. CORNING, P.E.  
MA PROFESSIONAL ENGINEER LIC #53767

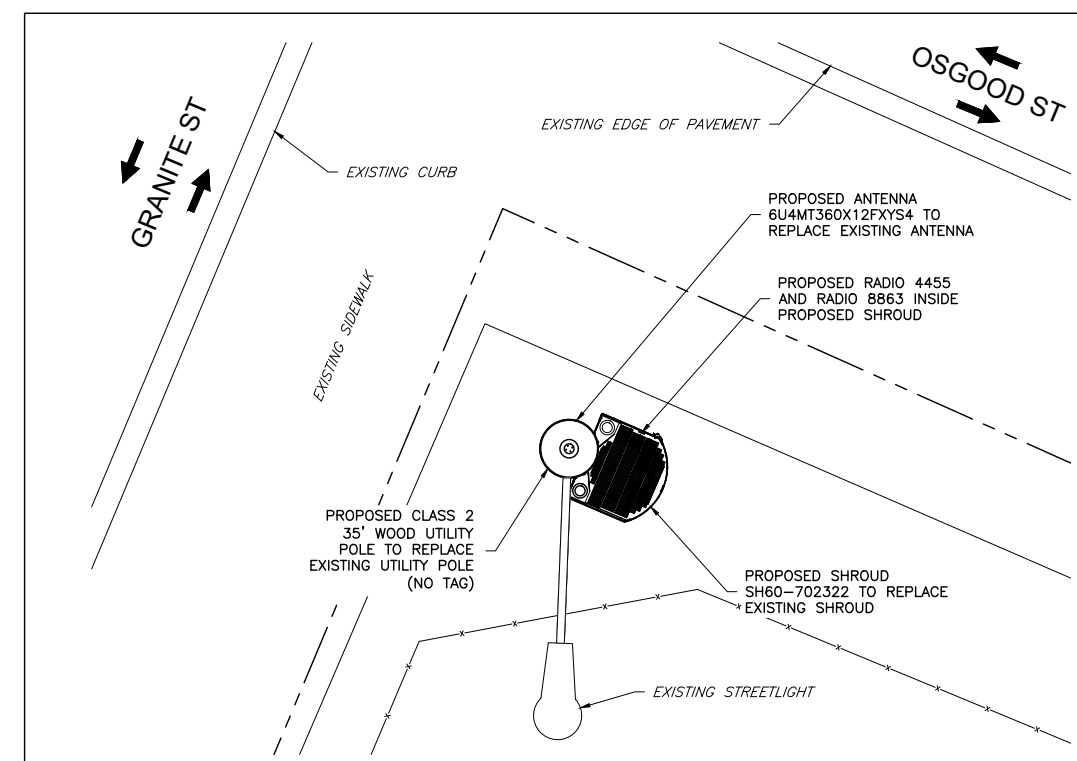
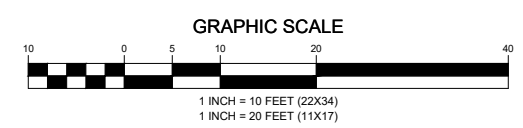
**NOTES**

SHEET  
**02 OF 08**

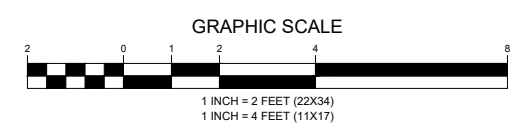
ENGINEERING FIRM  
APPLICANT  
SITE INFORMATION  
DESIGN RECORD  
PROFESSIONAL STAMP  
ENGINEER  
SHEET TITLE  
SHEET NUMBER



**SITE PLAN**



**EQUIPMENT ORIENTATION PLAN**



ENGINEERING FIRM

**NB+C**  
TOTALLY COMMITTED.  
NB+C ENGINEERING SERVICES, LLC.  
100 APOLLO DRIVE, SUITE 303  
CHELMSFORD, MA 01824  
(978) 656-6308

APPLICANT

**CROWN CASTLE**  
CROWN CASTLE FIBER, LLC  
1800 W PARK DRIVE  
WESTBOROUGH, MA 01581  
(508) 621-9144

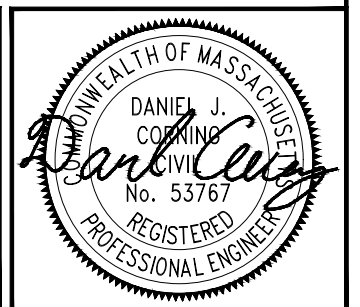
SITE INFORMATION

ODAS\_2D-12  
29 GRANITE ST  
SOMERVILLE, MA 02143  
MIDDLESEX COUNTY

DESIGN RECORD

REVISIONS			
REV	DATE	DESCRIPTION	BY
1	11/03/23	EXISTING POLE HEIGHT	CSG
0	09/15/23	FINAL	CWE

PROFESSIONAL STAMP



ENGINEER

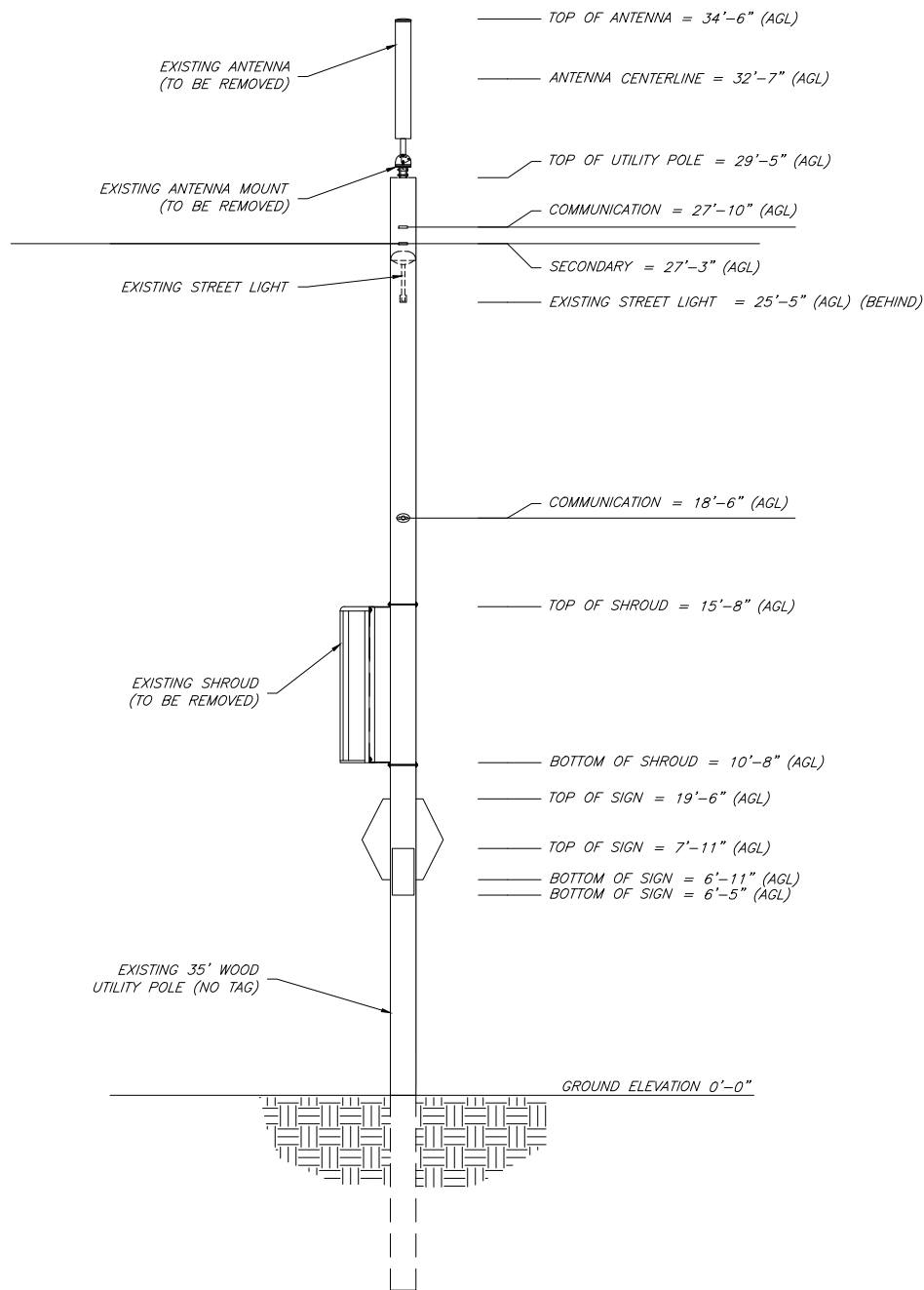
DANIEL J. CORNING, P.E.  
MA PROFESSIONAL ENGINEER LIC #53767

SHEET TITLE

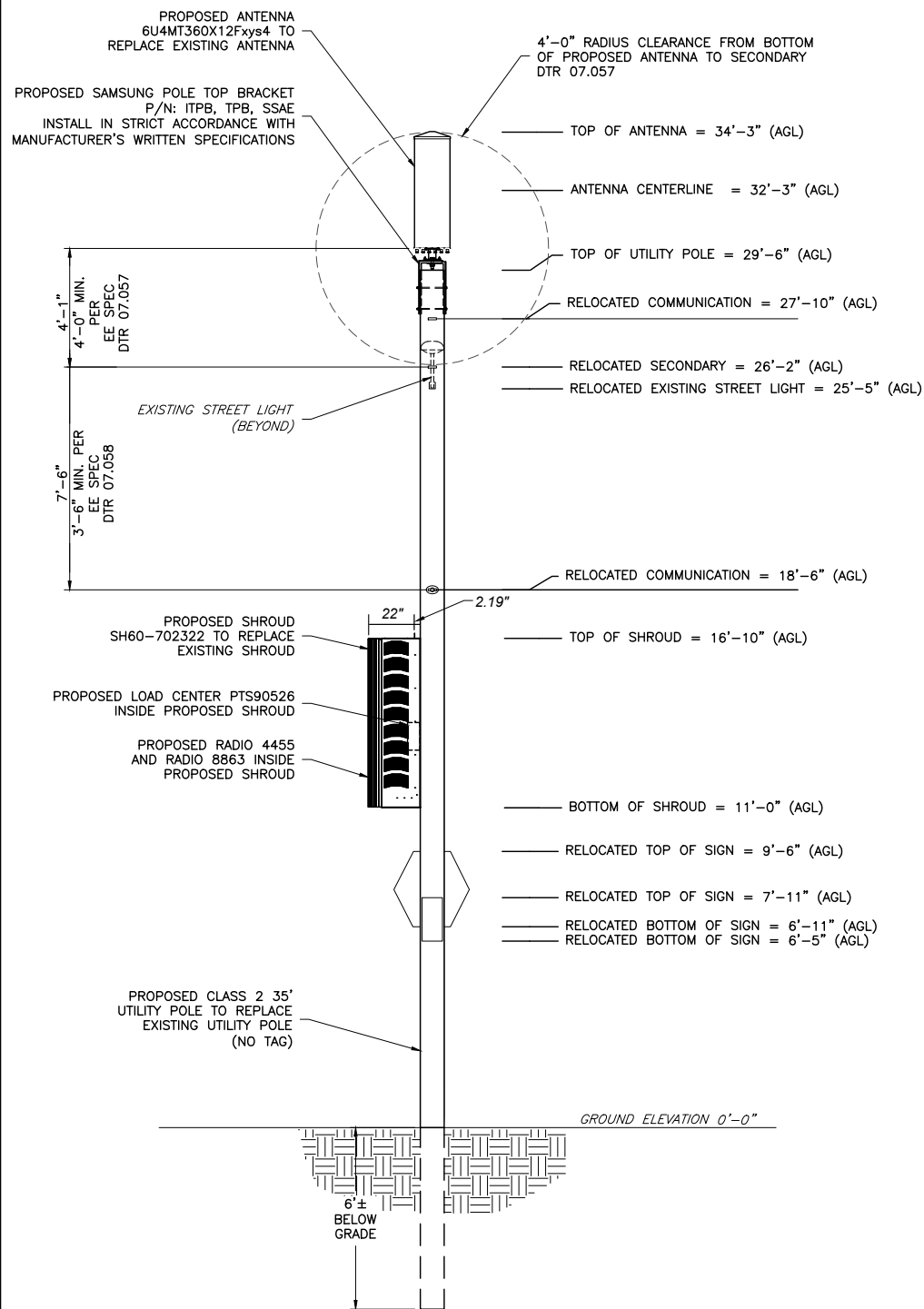
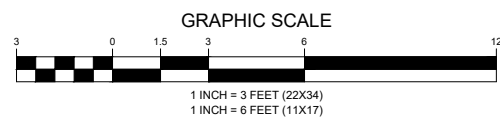
**SITE PLAN &  
EQUIPMENT  
ORIENTATION  
PLAN**

SHEET NUMBER

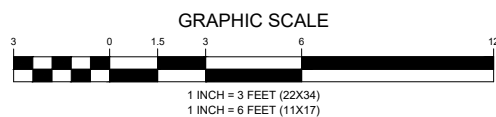
SHEET  
**03 OF 08**



EXISTING ELEVATION (LOOKING SOUTHEAST)



PROPOSED ELEVATION (LOOKING SOUTHEAST)



NOTES:

- EQUIPMENT ELEVATION IS SUBJECT TO MAKE READY PERFORMED BY POLE OWNER.
- NEW PLACARD SHALL BE OSHA COMPLIANT AND DISPLAY THE FOLLOWING INFORMATION: TRANSMITTING SYSTEM, EQUIPMENT OWNER & PROPER CONTACT INFORMATION. INSTALL PER UTILITY COMPANY REQUIREMENTS AND VERIFY EXACT MOUNTING HEIGHT IN FIELD.
- MAINTAIN MINIMUM OF 42" FROM TOP COMMUNICATION ATTACHMENT TO BOTTOM SECONDARY POWER ATTACHMENT.
- MAINTAIN MINIMUM OF 48" CLEARANCE IN ANY DIRECTION FROM ANTENNA AND MOUNTING BRACKET TO NEAREST SECONDARY POWER CONNECTION.
- MAINTAIN MINIMUM OF 12" FROM TOP COMMUNICATIONS LINE TO ANY ADDITIONAL COMMUNICATIONS LINE.
- MAINTAIN MINIMUM OF 5' FROM GROUND LEVEL TO CENTER OF METER SOCKET.
- MAINTAIN MINIMUM OF 6' CLEARANCE IN ANY DIRECTION FROM ANTENNA AND MOUNTING BRACKET TO NEAREST PRIMARY POWER CONNECTION.
- EQUIPMENT TO BE INSTALLED ON OPPOSITE SIDE OF TRAFFIC FLOW.
- POWER SUPPLY & WEATHERHEAD SHOULD BE INSTALLED ON THE SAME SIDE OF THE POLE WITH THE SECONDARY(S) AND COMMUNICATION CABLE(S) TO ACCOMMODATE CLIMBING OF THE POLE.
- PRIOR TO THE INSTALLATION OF THE PROPOSED EQUIPMENT OR MODIFICATION TO THE EXISTING STRUCTURE, CONTRACTOR SHALL REFER TO THE LATEST STRUCTURAL ANALYSIS COMPLETED BY: NETWORK BUILDING + CONSULTING, LLC.

ENGINEERING FIRM



APPLICANT



SITE INFORMATION

ODAS\_2D-12  
29 GRANITE ST  
SOMERVILLE, MA 02143  
MIDDLESEX COUNTY

DESIGN RECORD

REVISIONS

REV	DATE	DESCRIPTION	BY
1	11/03/23	EXISTING POLE HEIGHT	CSG
0	09/15/23	FINAL	CWE

PROFESSIONAL STAMP



ENGINEER

DANIEL J. CORNING, P.E.  
MA PROFESSIONAL ENGINEER LIC #53767

SHEET TITLE

ELEVATIONS  
& NOTES

SHEET NUMBER

SHEET  
04 OF 08





EXISTING CONDITIONS



PROPOSED CONDITIONS

ENGINEERING FIRM

**NB+C**  
TOTALLY COMMITTED.  
NB+C ENGINEERING SERVICES, LLC.  
100 APOLLO DRIVE, SUITE 303  
CHELMSFORD, MA 01824  
(978) 556-5308

APPLICANT

**CROWN CASTLE**  
CROWN CASTLE FIBER, LLC  
1800 W PARK DRIVE  
WESTBOROUGH, MA 01581  
(508) 621-9144

SITE INFORMATION

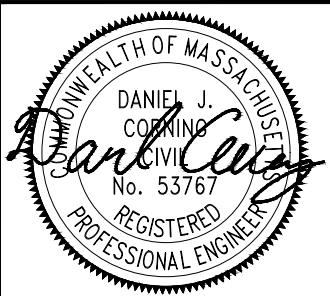
ODAS\_2D-12  
29 GRANITE ST  
SOMERVILLE, MA 02143  
MIDDLESEX COUNTY

DESIGN RECORD

REVISIONS

REV	DATE	DESCRIPTION	BY
1	11/09/23	EXISTING POLE HEIGHT	CSG
0	09/15/23	FINAL	CWE

PROFESSIONAL STAMP



ENGINEER

DANIEL J. CORNING, P.E.  
MA PROFESSIONAL ENGINEER LIC #53767

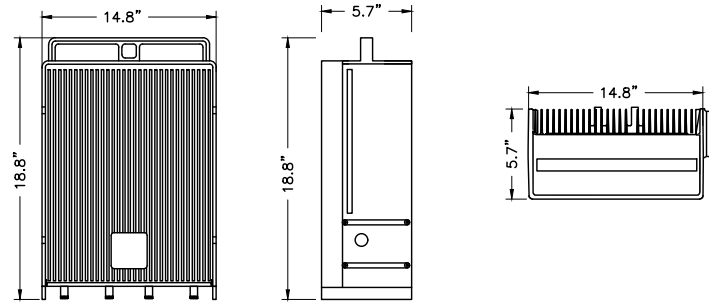
SHEET TITLE

**PHOTO  
SIMULATION**

SHEET NUMBER

SHEET  
**05 OF 08**



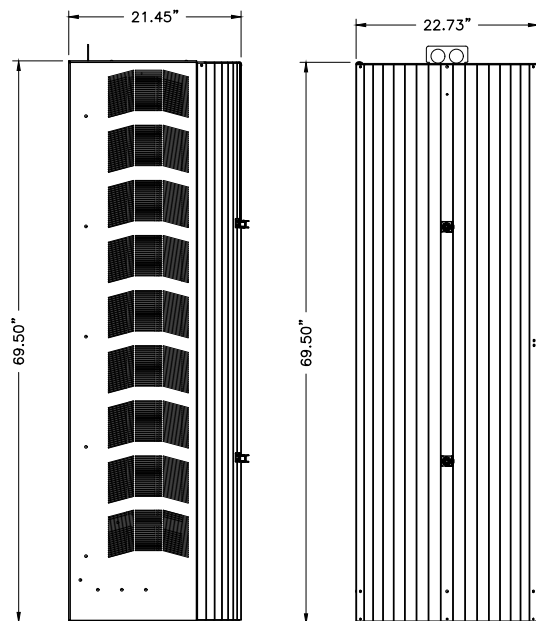
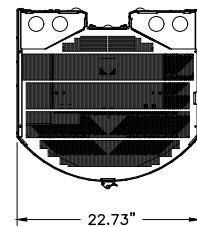


SIZE AND WEIGHT TABLE

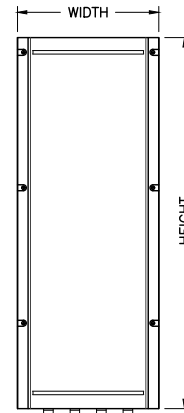
RRU	HEIGHT	WIDTH	DEPTH	WEIGHT (W/FAN UNIT)
RADIO 8863 B41	18.8"	14.8"	5.7"	50.9 LBS.

1  
06 NTS  
ERICSSON REMOTE RADIO UNIT (RRU)

CHARLES INDUSTRIES INC. SHROUD  
PART NO. COLO-702322  
HEIGHT: 69.50 IN  
WIDTH: 22.73 IN  
DEPTH: 21.45 IN



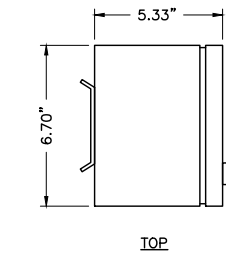
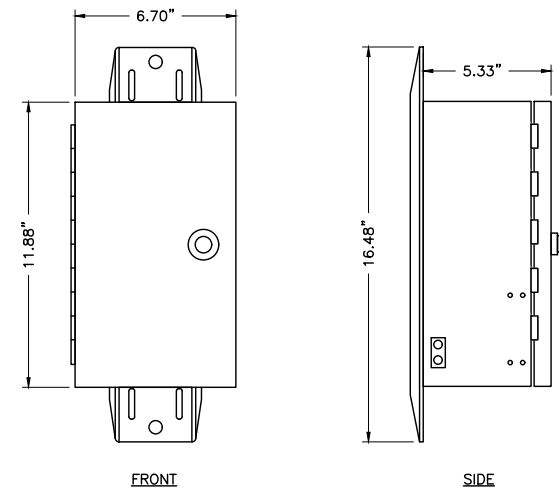
4  
06 NTS  
SHROUD DETAIL



SIZE AND WEIGHT TABLE

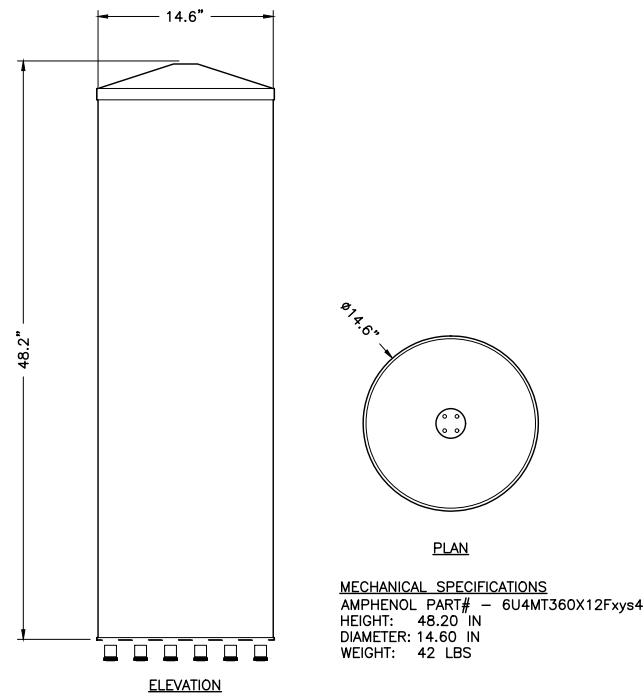
RRH	WIDTH	DEPTH	HEIGHT	WEIGHT
RADIO 4455 B2/B25	10.9"	5.9"	31.3"	57.3 LBS

2  
06 NTS  
RADIO 4455 DETAIL



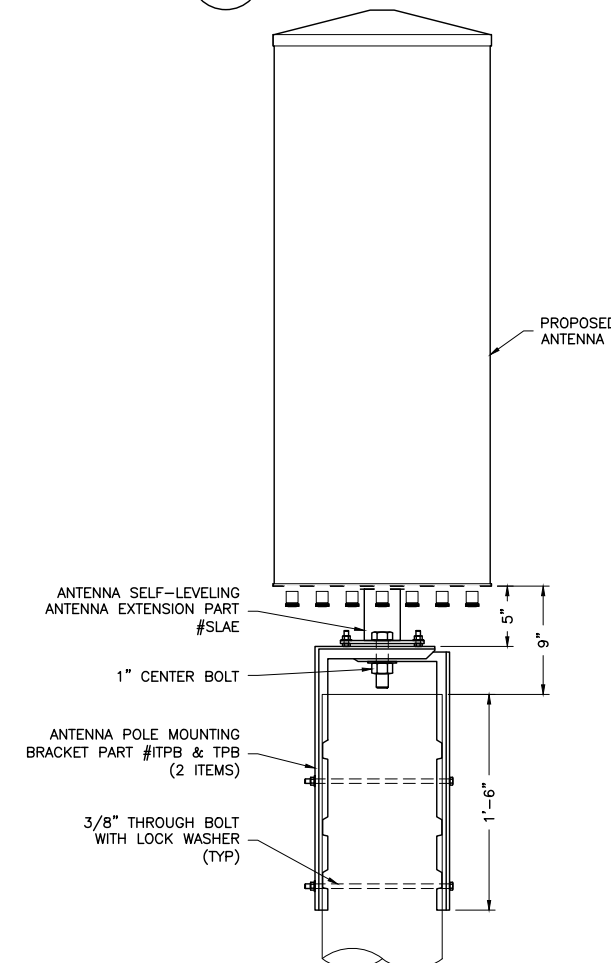
PTS\_AC DISTRIBUTION PANEL:  
PART\_NO\_PTS90526

3  
06 NTS  
AC LOAD CENTER DETAIL



MECHANICAL SPECIFICATIONS  
AMPHENOL PART# - 6U4MT360X12Fxs4  
HEIGHT: 48.20 IN  
DIAMETER: 14.60 IN  
WEIGHT: 42 LBS

5  
06 NTS  
ANTENNA DETAIL



6  
06 NTS  
ANTENNA MOUNTING DETAIL

ENGINEERING FIRM

**NB+C**  
TOTALLY COMMITTED.  
NB+C ENGINEERING SERVICES, LLC.  
100 APOLLO DRIVE, SUITE 303  
CHELMSFORD, MA 01824  
(978) 556-8308

APPLICANT

**CROWN CASTLE**  
CROWN CASTLE FIBER, LLC  
1800 W PARK DRIVE  
WESTBOROUGH, MA 01581  
(508) 621-9144

SITE INFORMATION

ODAS\_2D-12  
29 GRANITE ST  
SOMERVILLE, MA 02143  
MIDDLESEX COUNTY

DESIGN RECORD

REVISIONS

REV	DATE	DESCRIPTION	BY
1	11/03/23	EXISTING POLE HEIGHT	CSG
0	09/15/23	FINAL	CWE

PROFESSIONAL STAMP



ENGINEER

DANIEL J. CORNING, P.E.  
MA PROFESSIONAL ENGINEER LIC #53767

SHEET TITLE

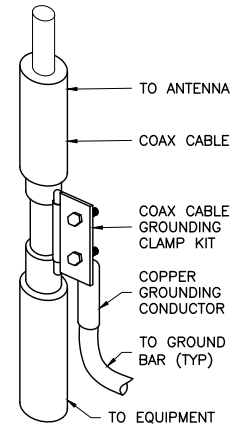
**ANTENNA & EQUIPMENT DETAILS**

SHEET NUMBER

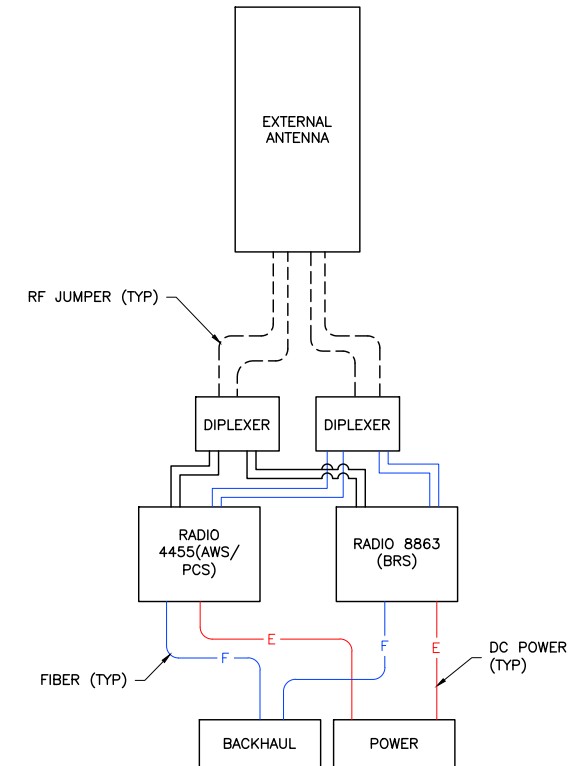
SHEET  
**06 OF 08**

**GENERAL NOTES:**

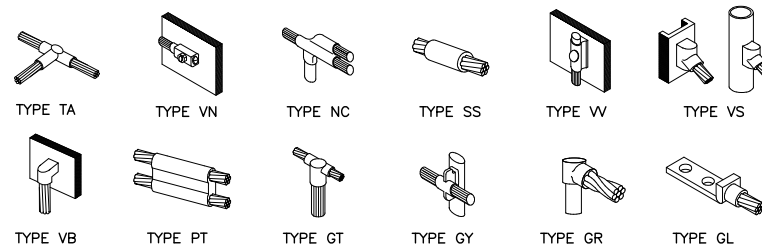
- METAL TO METAL CONTACT IS NOT ALLOWED WITHOUT AN INTENTIONAL BOND.
- DISSIMILAR METALS IN DIRECT CONTACT, CAUSE CHEMICAL REACTION BETWEEN THE METALS, LEADING TO CORROSION.
- ALL ABOVE GROUND CONNECTIONS TO THE VERTICAL GROUND RISER (VGR) SHALL BE IRREVERSIBLE CLAMP TYPE AND WEATHER PROOFED.
- WHERE APPLICABLE EARTH GROUND RESISTANCE OF 5 OHMS OR LESS IS PREFERRED. 25 OHMS IS ACCEPTABLE SEE NEC 250.53.
- ALL METALLIC SURFACES AND/OR GROUND COMPONENTS INSTALLED W/IN 6" OF EACH OTHER MUST BE PROPERLY BONDED TO VGR, INCLUDING BUT NOT LIMITED TO, RADIO SHROUD, ANTENNA BRACKETS, STREET LIGHTS AND THE METER/LOAD CENTER OF THE AC SERVICE.
- RF GROUND KITS ARE NOT REQUIRED WHERE RF SURGE PROTECTION DEVICES (SPDS) ARE INSTALLED AHEAD OF THE RF CABLES ENTRY POINT INTO THE SHROUD. GROUND AVAILABLE SPDS TO VGR.
- WHEN A NEW FOUNDATION IS INSTALLED, BOND THE AVAILABLE REBAR TO THE SITE GROUNDING.
- WHEN GROUNDING EQUIPMENT INSIDE A SHROUD, CONNECT TO THE SHROUD MANUFACTURER'S GROUND BUSS BAR, AND WATERFALL THE GROUND WIRE FROM THE SHROUD IN A DOWNWARD SWEEPING MOTION TO THE VGR. AVOID GROUND LOOPS THROUGH THE EQUIPMENT CHASSIS TO THE METALLIC SHROUD.
- FOR METAL POLES BOND THE POLE TO THE VGR. FOR ELECTRIC METERS INSTALLED ON METAL POLES, AVOID UNINTENTIONAL BONDING THROUGH THE CHASSIS OF THE METER AND THE METAL POLE. ALL BONDS SHOULD BE INTENTIONAL.
- THE NEUTRAL GROUND BOND SHOULD IDEALLY BE AT THE FIRST LOAD CENTERING MEANS AFTER THE ELECTRICAL SERVICE. SEE NEC CODE 250.24 FOR NEUTRAL GROUND BONDING CONNECTION.
- WHEN SITE IS POWERED UP, BEFORE ACCEPTANCE, TEST FOR OBJECTIONABLE CURRENT AND FOREIGN VOLTAGE.



1 COAX CABLE GROUNDING  
07 NTS



3 WIRING DIAGRAM  
07 NTS



2 GROUNDING CONNECTION DETAILS  
07 NTS

ENGINEERING FIRM

**NB+C**  
TOTALLY COMMITTED.  
NB+C ENGINEERING SERVICES, LLC.  
100 APOLLO DRIVE, SUITE 303  
CHELMSFORD, MA 01824  
(978) 556-5308

APPLICANT

**CROWN CASTLE**  
CROWN CASTLE FIBER, LLC  
1800 W PARK DRIVE  
WESTBOROUGH, MA 01581  
(508) 621-9144

SITE INFORMATION

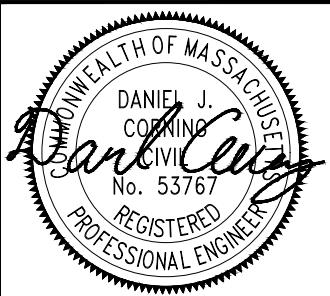
ODAS\_2D-12  
29 GRANITE ST  
SOMERVILLE, MA 02143  
MIDDLESEX COUNTY

DESIGN RECORD

**REVISIONS**

REV	DATE	DESCRIPTION	BY
1	11/09/23	EXISTING POLE HEIGHT	CSG
0	09/15/23	FINAL	CWE

PROFESSIONAL STAMP



ENGINEER

DANIEL J. CORNING, P.E.  
MA PROFESSIONAL ENGINEER LIC #53767

SHEET TITLE

**GROUNDING  
DETAILS & WIRING  
DIAGRAM**

SHEET NUMBER

SHEET  
**07 OF 08**



CITY OF SOMERVILLE  
93 HIGHLAND AVE  
SOMERVILLE, MA 02143 USA

PORTER SQUARE REAL ESTATE GROUP  
LLC  
25 EDGE HILL RD  
CHESTNUT HILL, MA 02467